



VERSION HISTORY

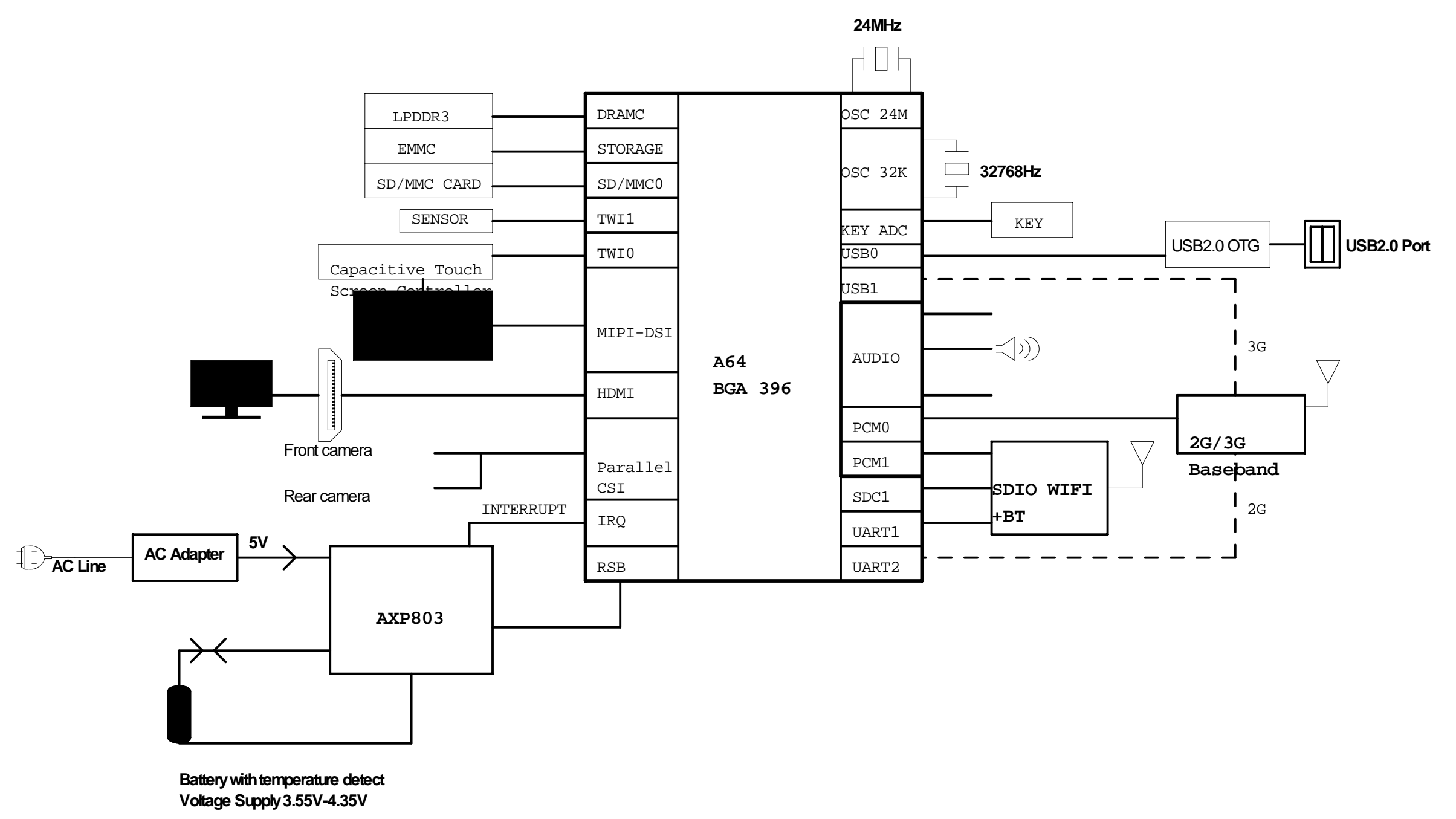
Index^o

- 01 VERSION HISTORY
- 02 BLOCK DIAGRAM
- 03 POWER TREE
- 04 LPDDR3 FBGA178
- 05 CPU
- 06 PMIC
- 07 FLASH
- 08 AUDIO
- 09 USB/T-CARD
- 10 CAMREA
- 11 LCM/CTP
- 12 SENSORS/MT/KEY
- 13 HDMI
- 14 WIFI-BT
- 15 MODEM-4G

Revision	Description	Date	Drawn	Checked	Approved
Ver 1.0	Releas version	2019-05-28	HE		

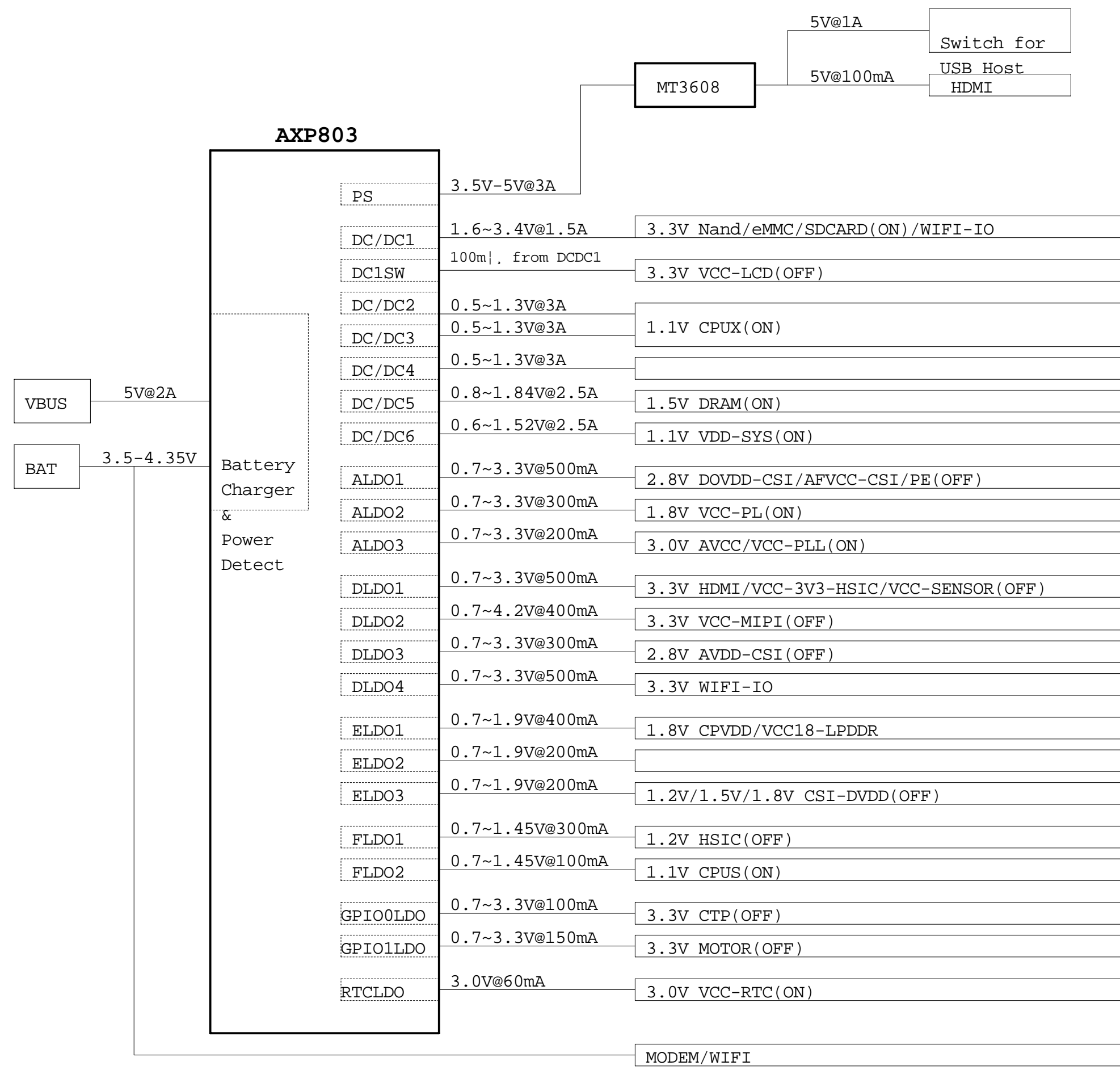


BLOCK DIAGRAM





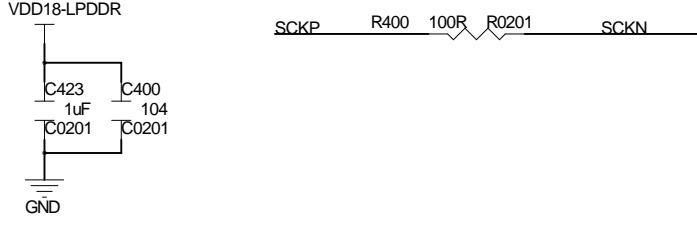
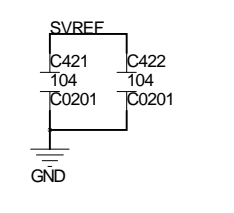
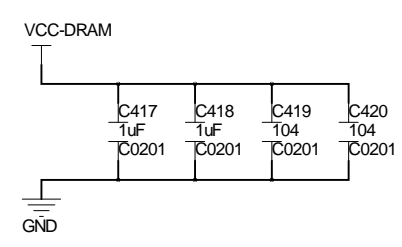
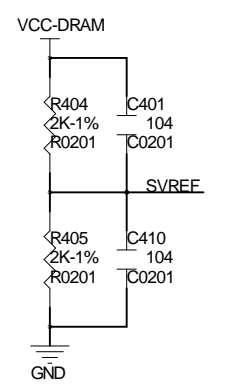
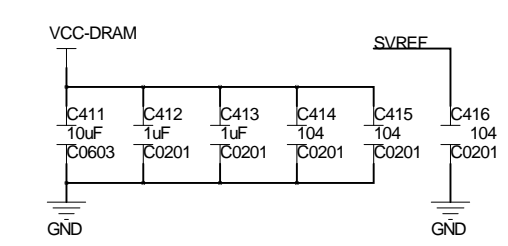
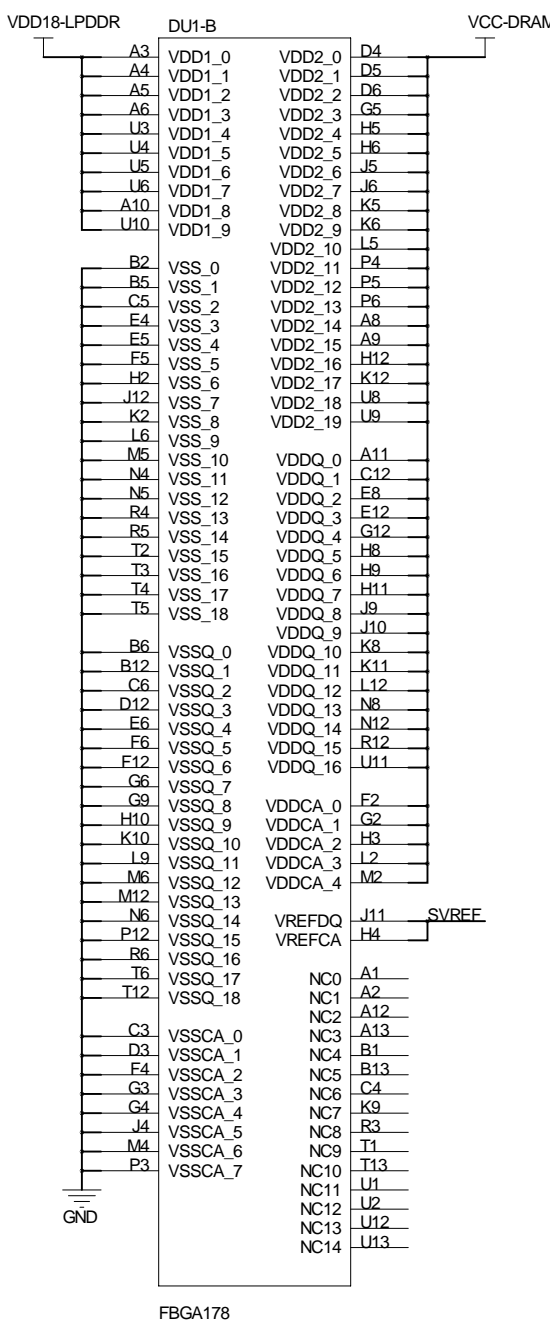
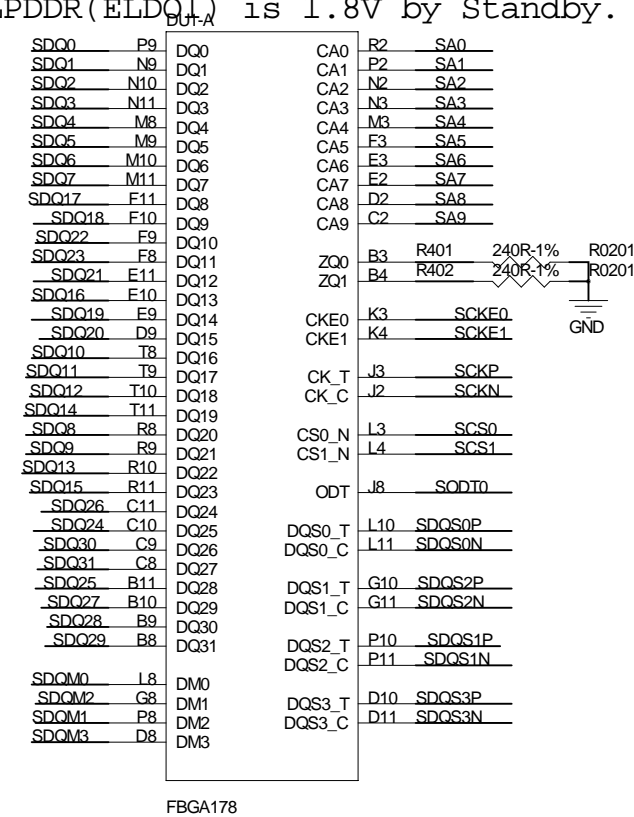
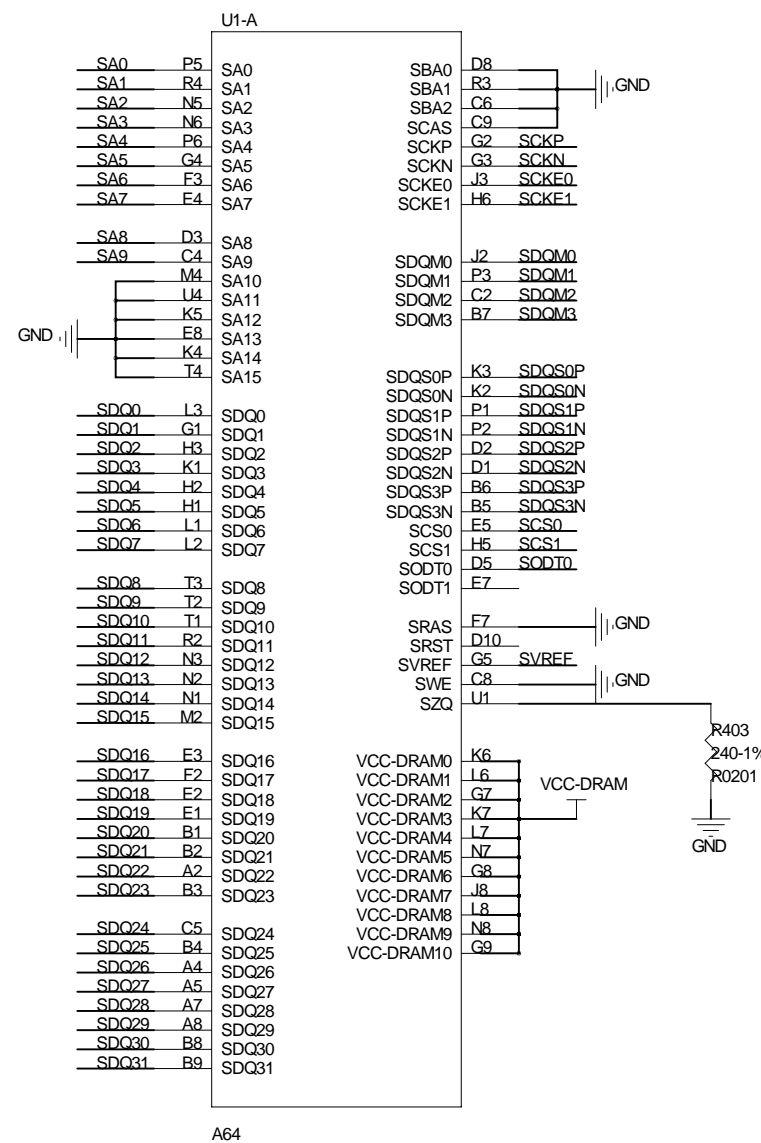
POWER TREE





LPDDR3

If use LPDDR3,
mount VDD18-LPDDR(ELDQ1) is 1.8V by Standby.



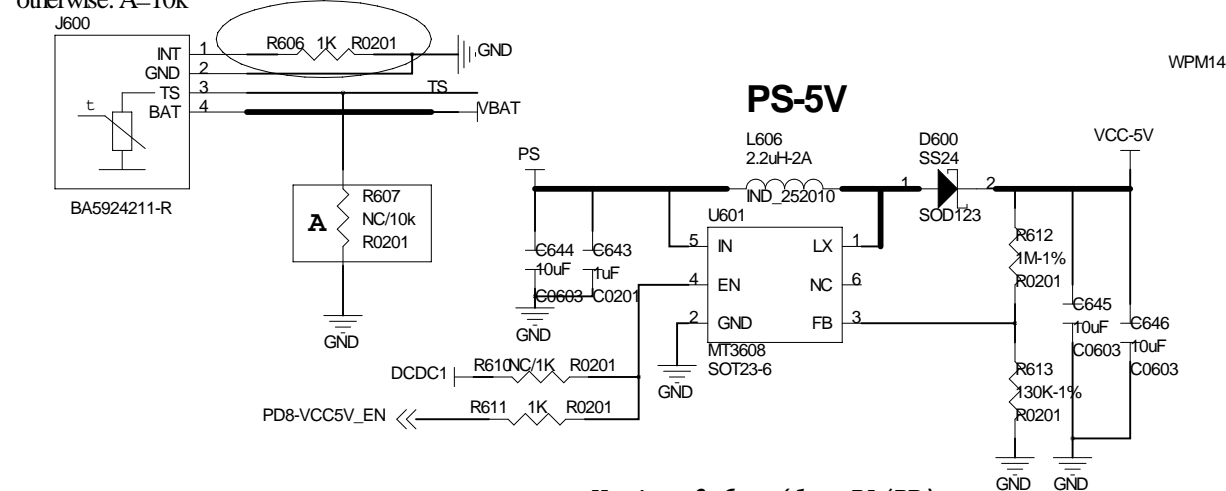
PINE64		
Design Name		
PinePhone ver 1.0		
Size	Page Name	Rev
C	LPDDR3 FPGA178	?
Date:	Monday, July 08, 2019	Sheet 4 of 15



Power

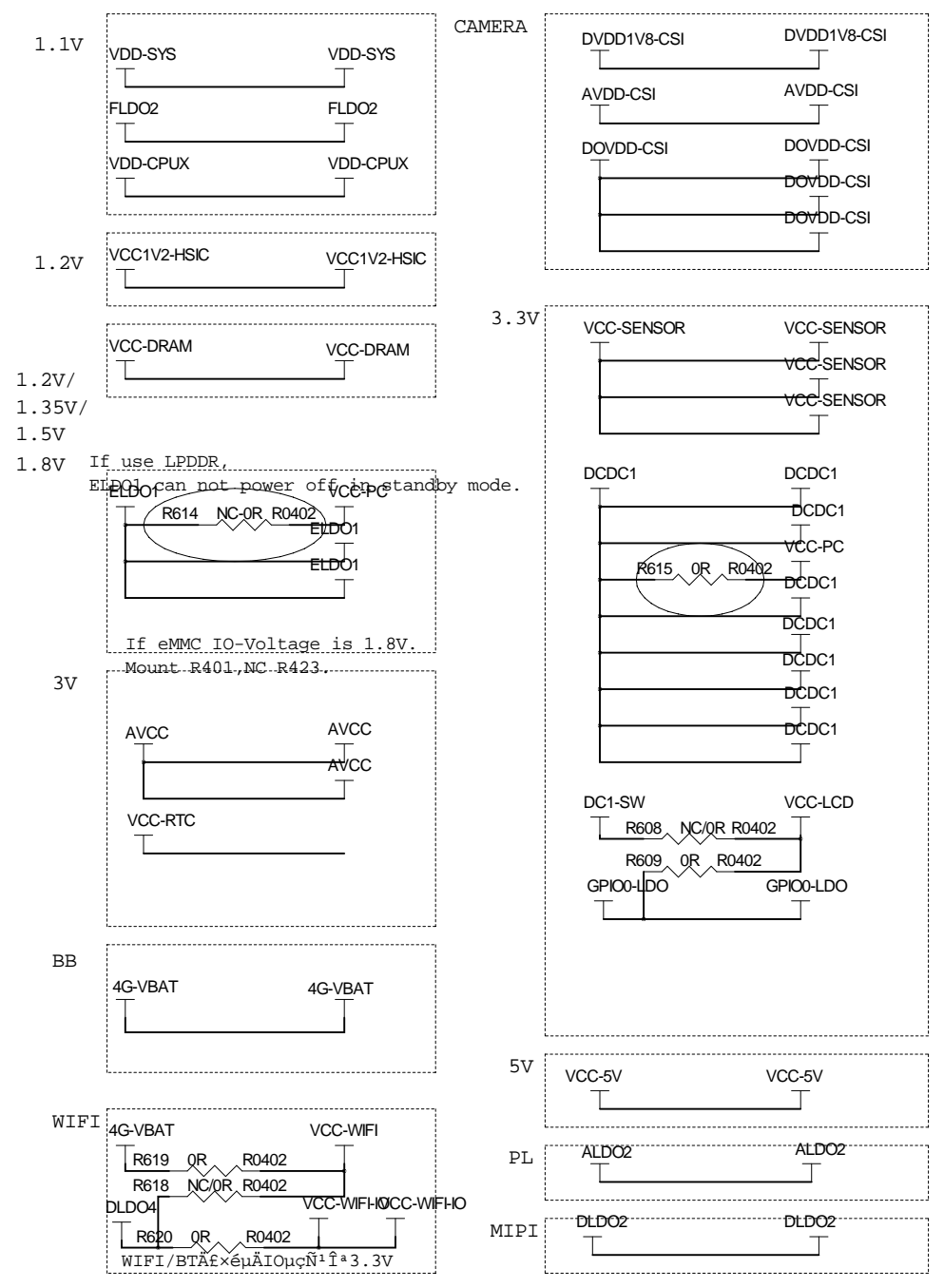
BAT

IF use the battery temperature sensor: A=NC
 otherwise: A=10k

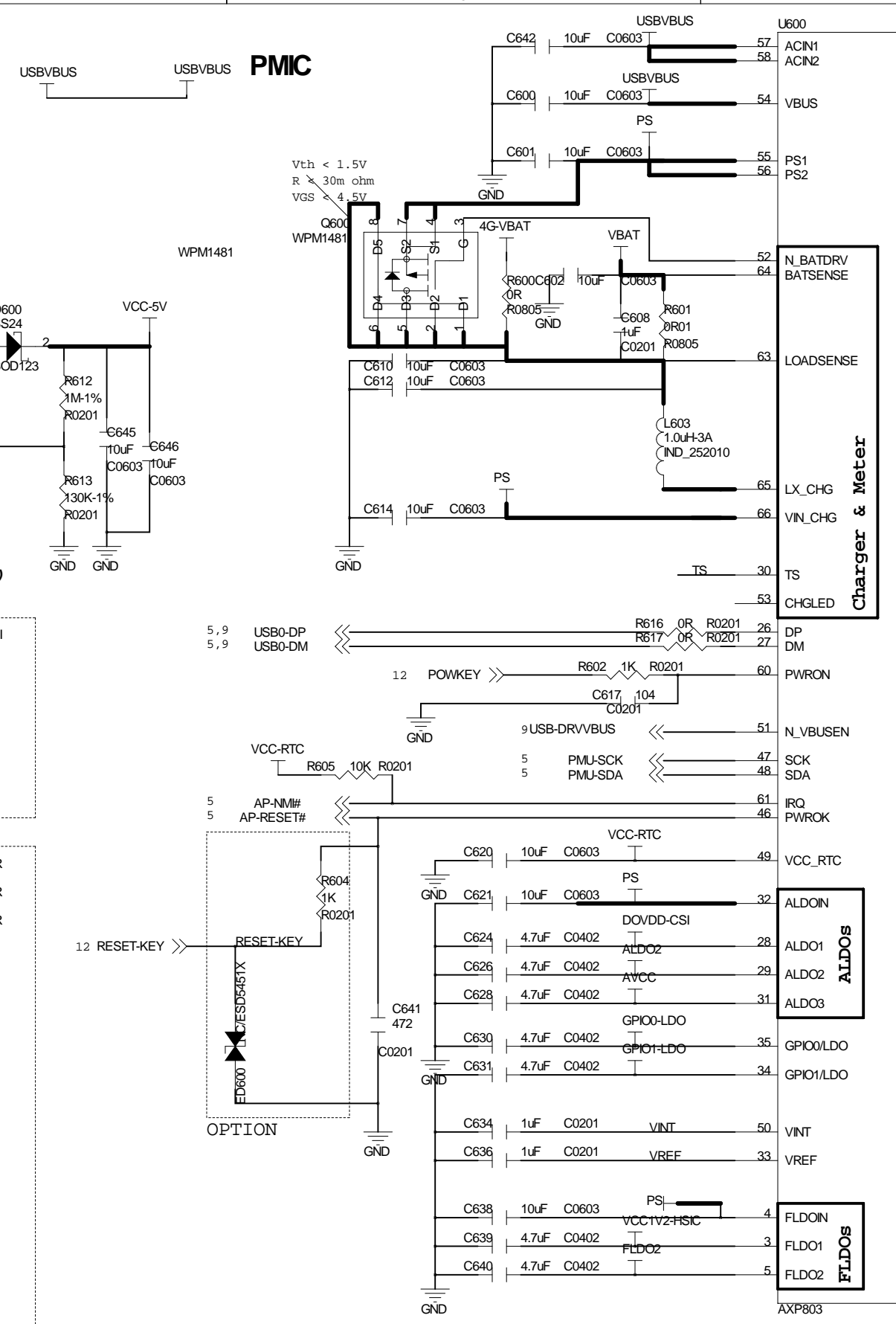


$$V_{out} = 0.6 \times (1 + RA/RB)$$

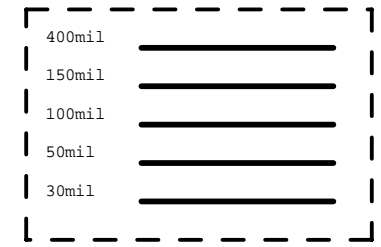
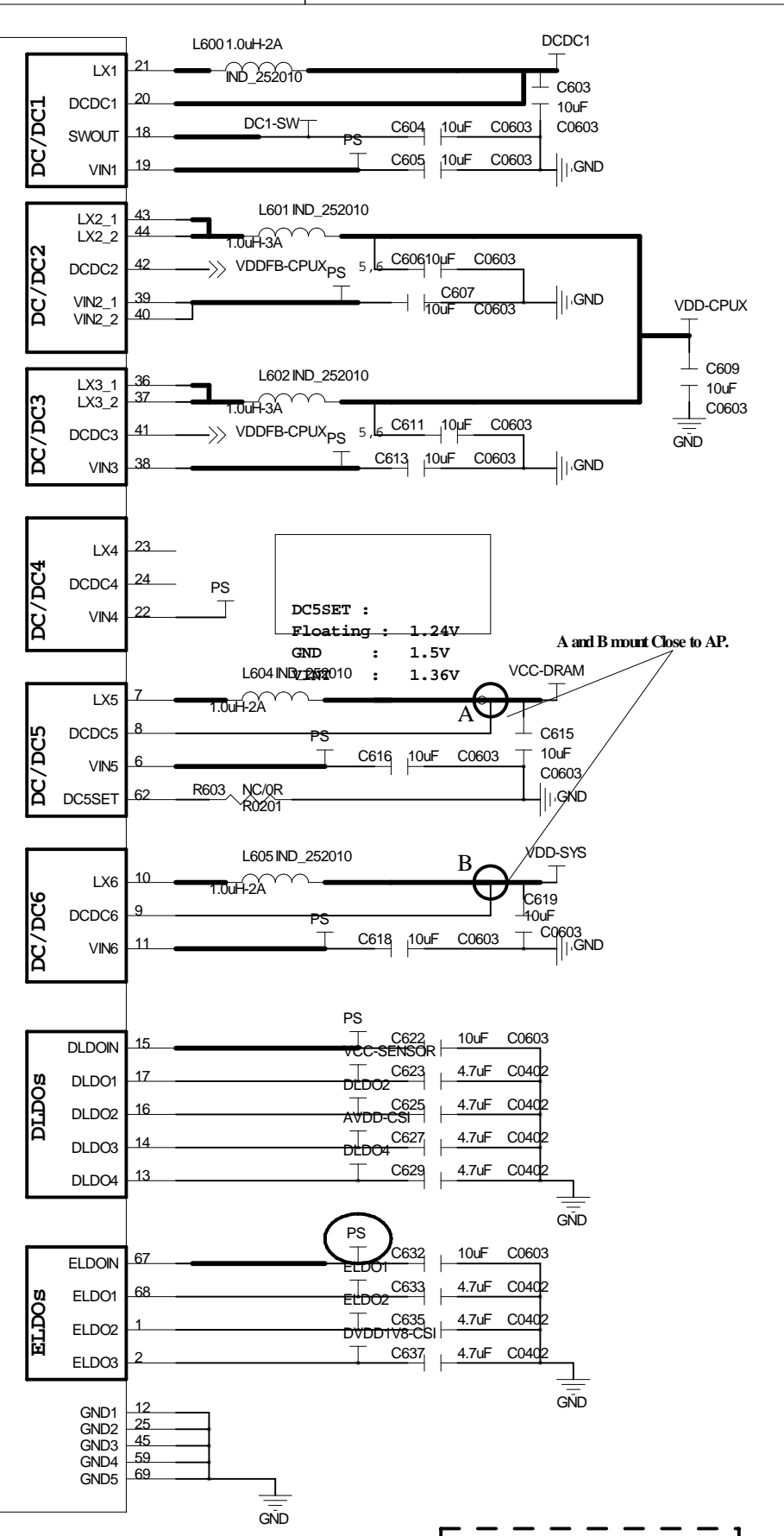
$$I_{max} = 2A$$



PMIC



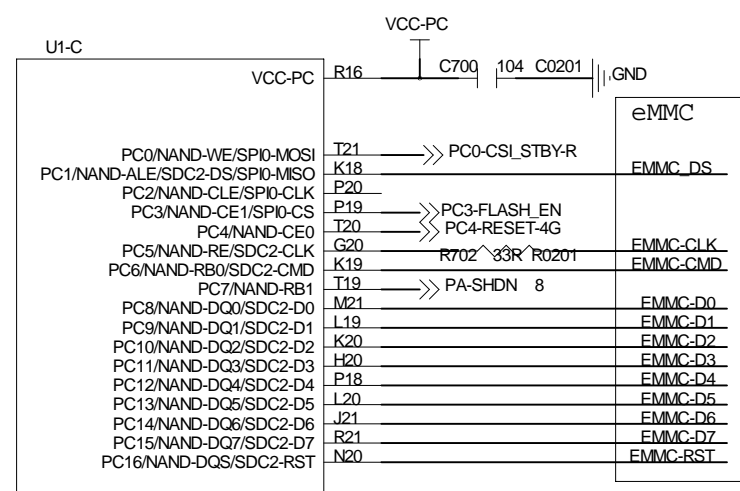
Charger & Meter



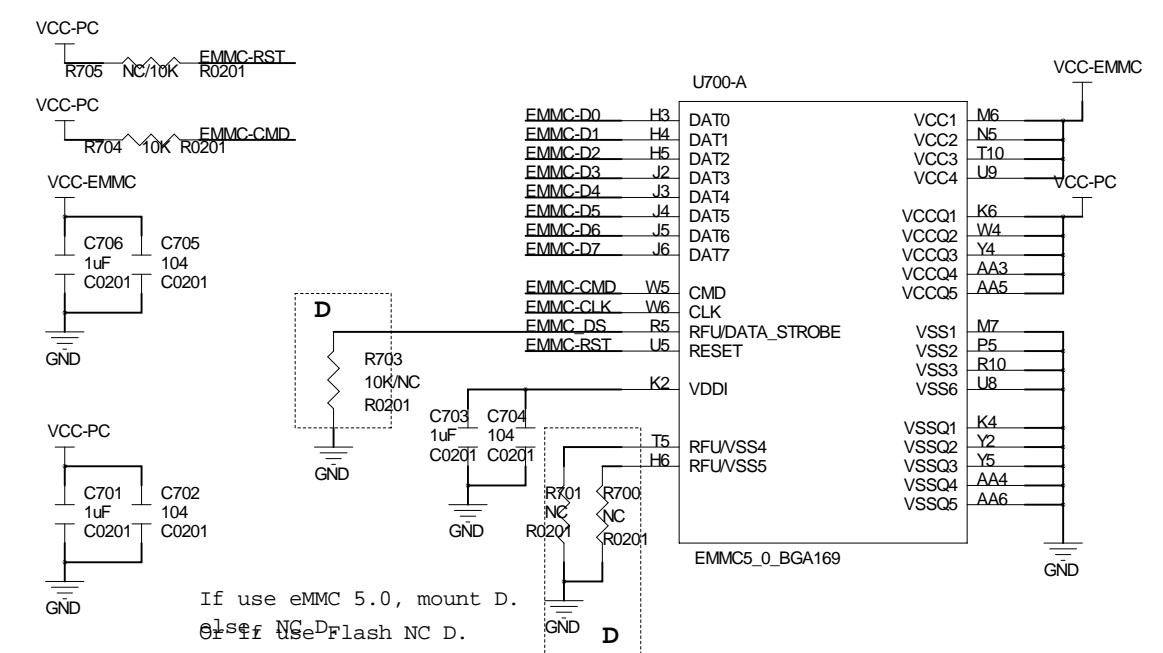
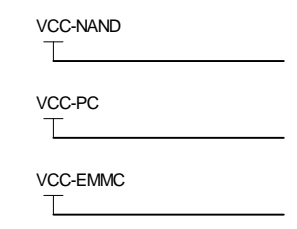
PINE64			
Design Name			
PinePhone ver 1.0			
Size	Page Name	Rev	?
C	Power		
Date:	Monday, July 08, 2019	Sheet	6 of 15



NAND/eMMC



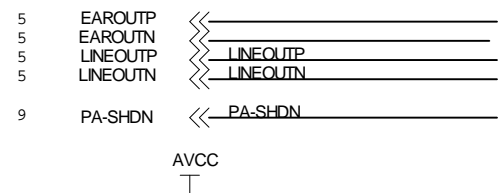
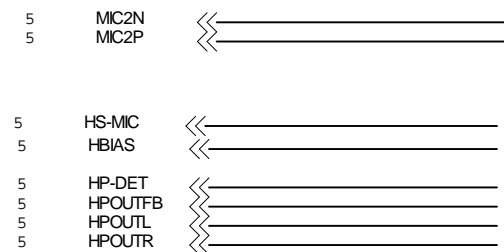
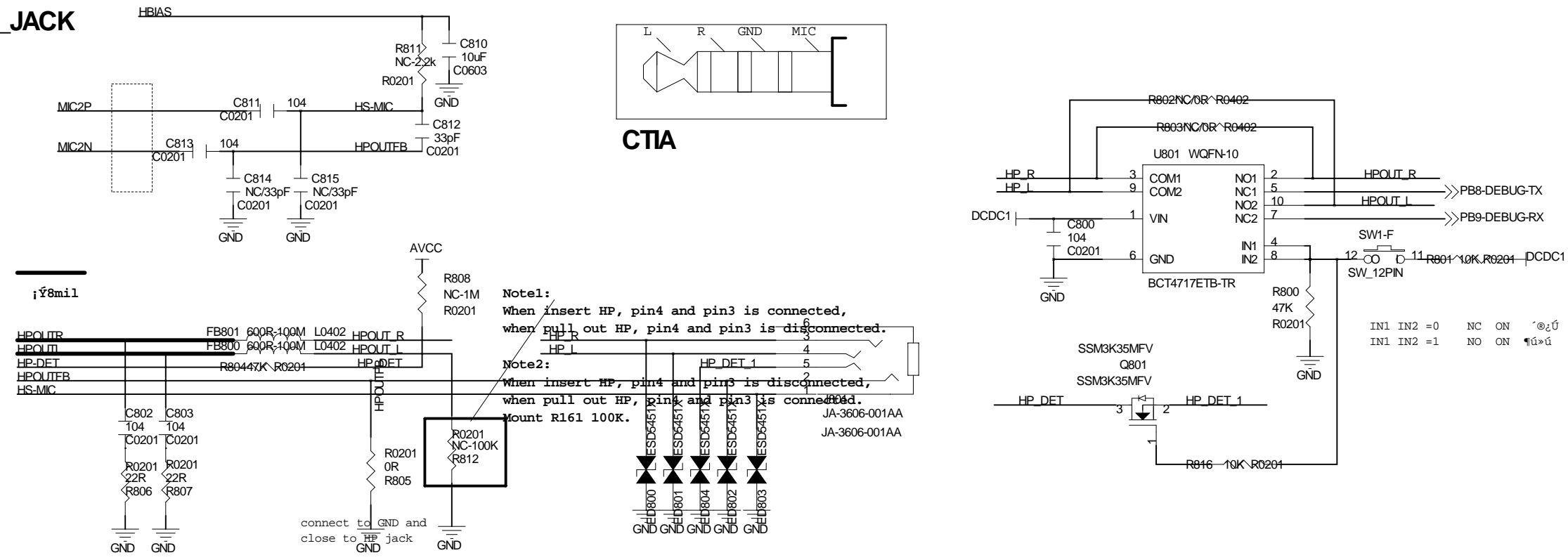
A64



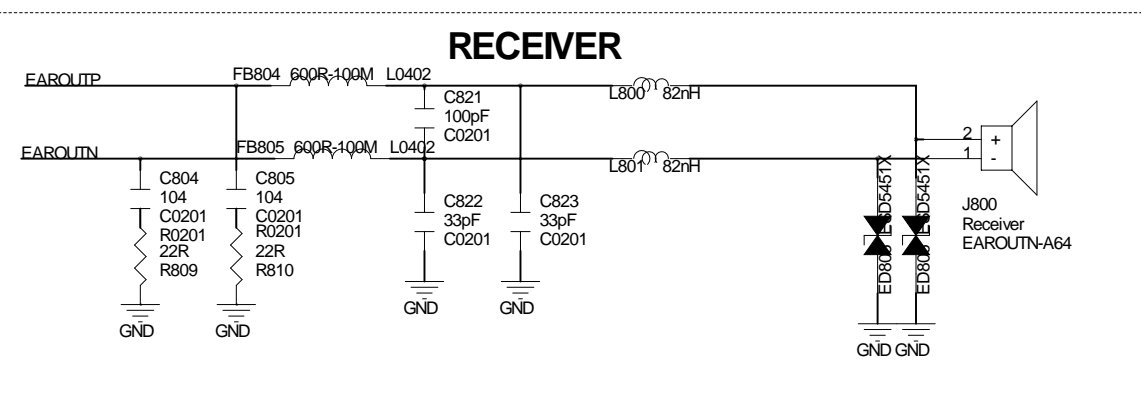


AUDIO

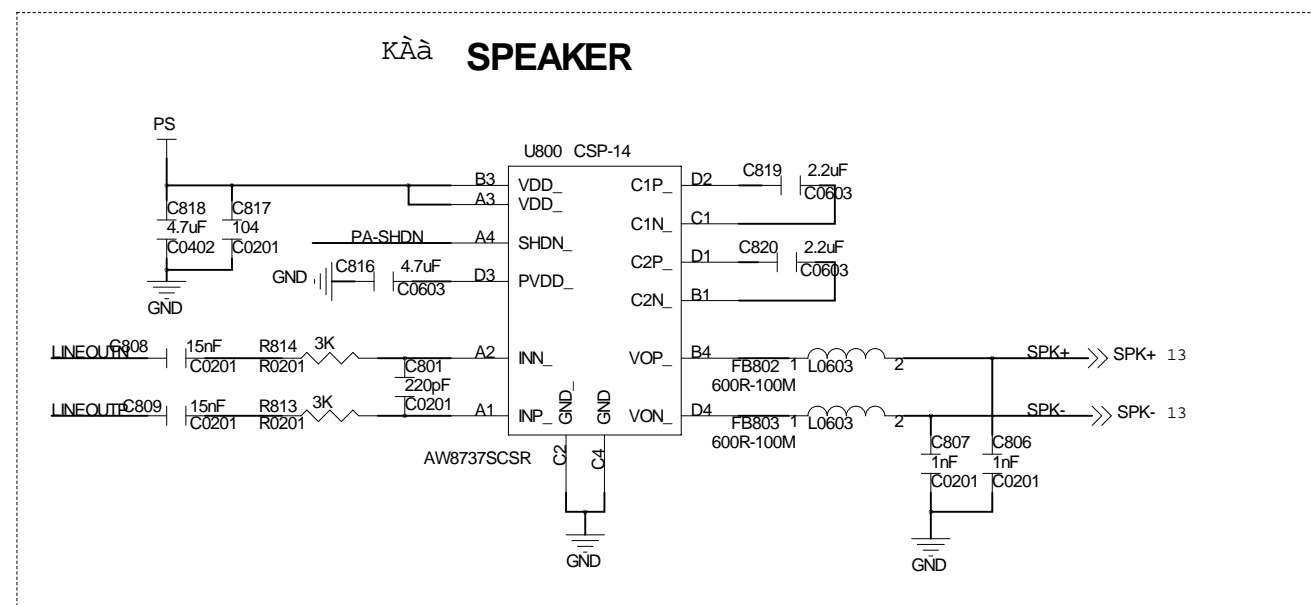
HP JACK



RECEIVER



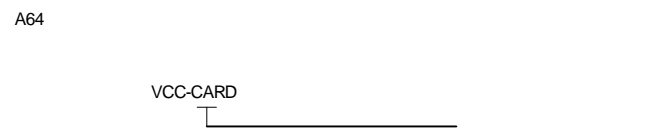
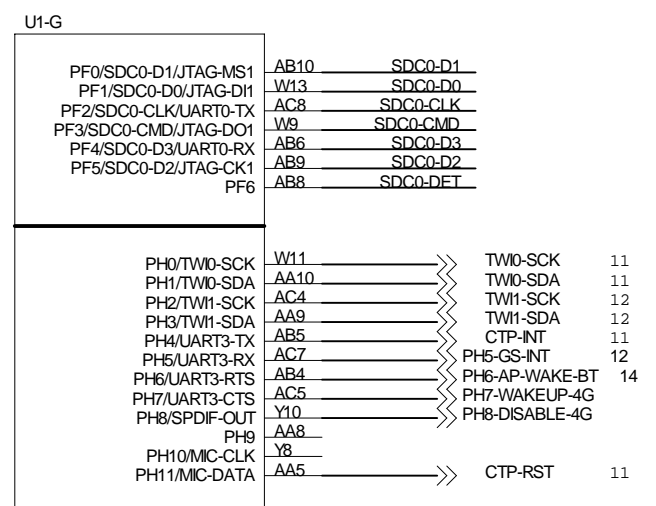
SPEAKER



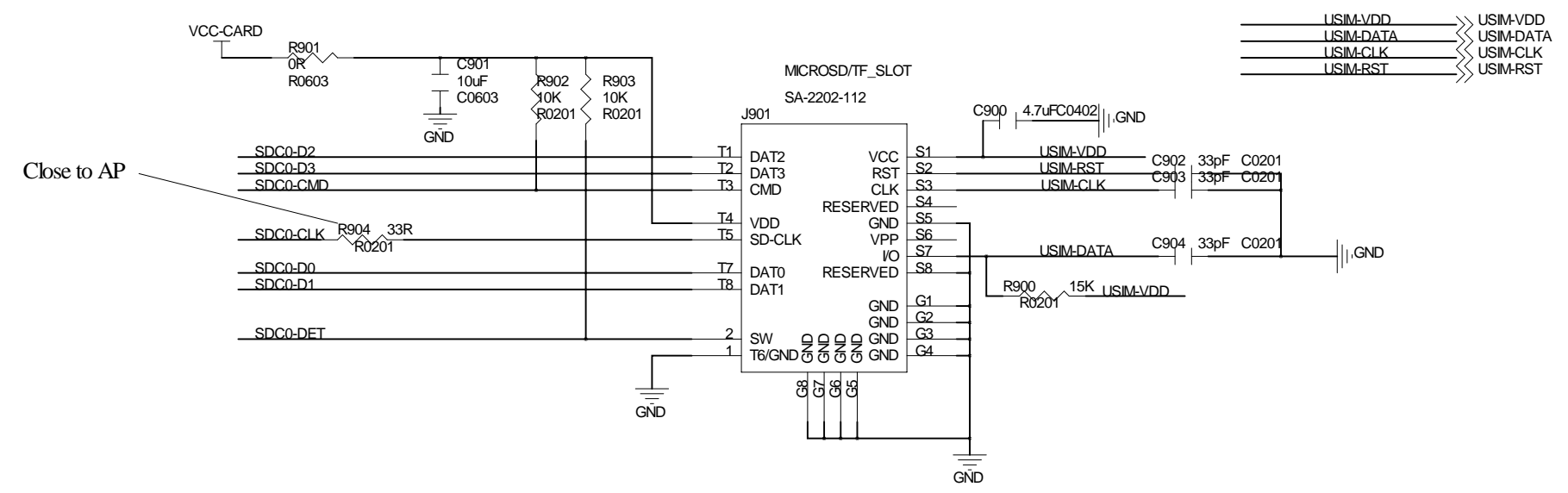
PINE64		
Design Name		
PinePhone ver 1.0		
Size	Page Name	Rev
C	AUDIO	?
Date:	Monday, July 08, 2019	Sheet 8 of 15



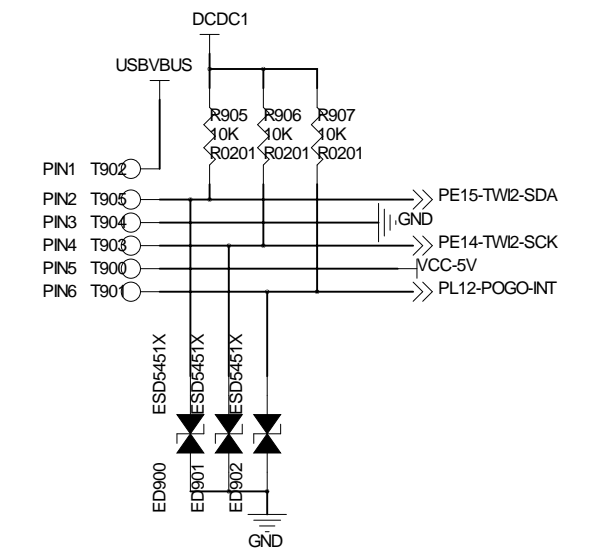
T-CADD/SIM



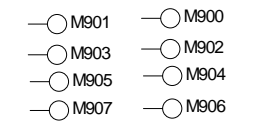
T-CARD



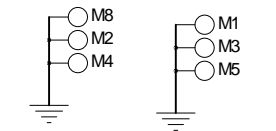
POGO PIN



MARK



MARK

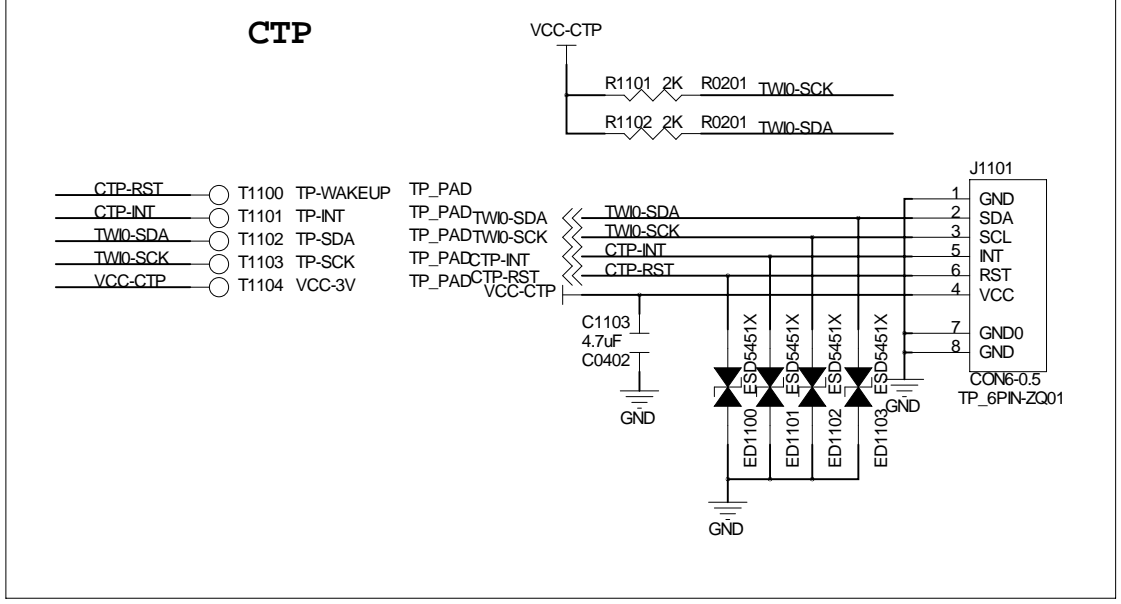
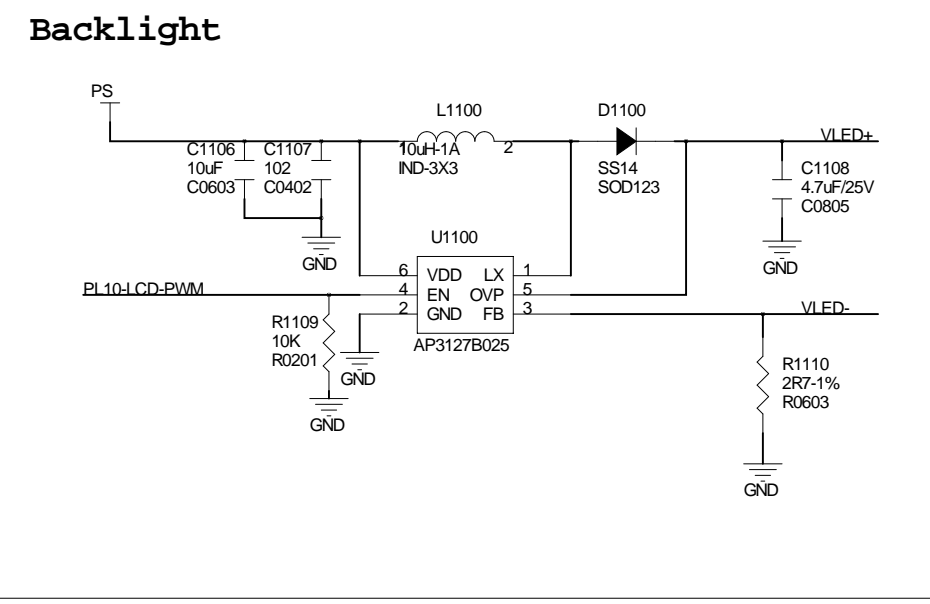
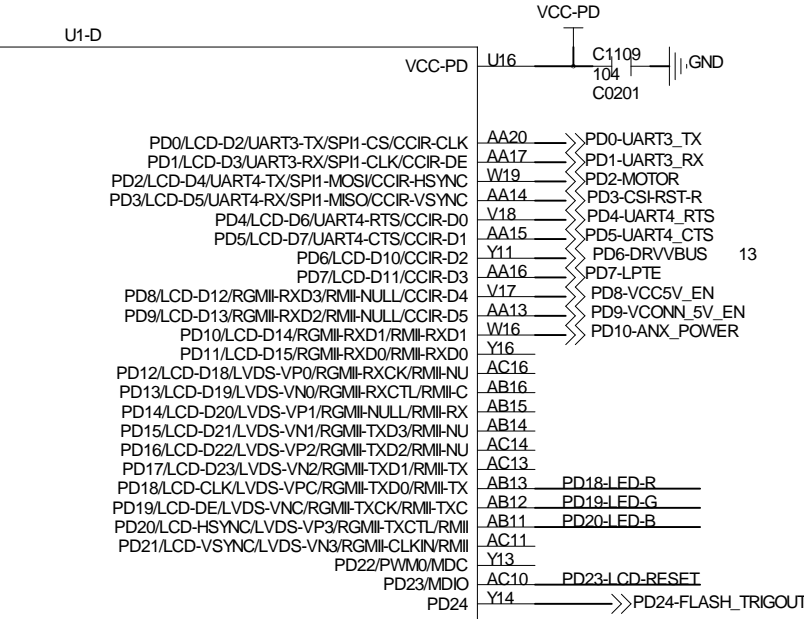


PINE6 4

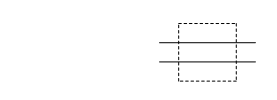
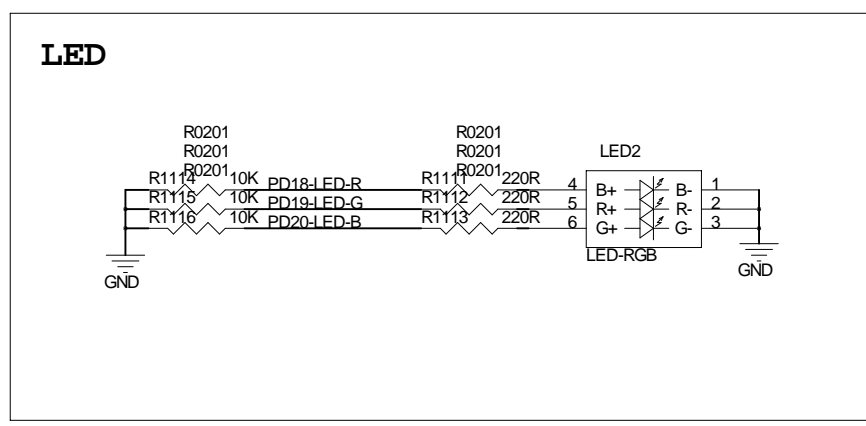
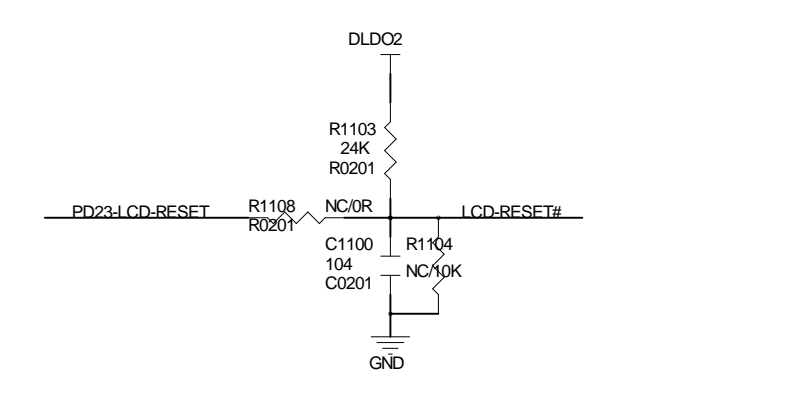
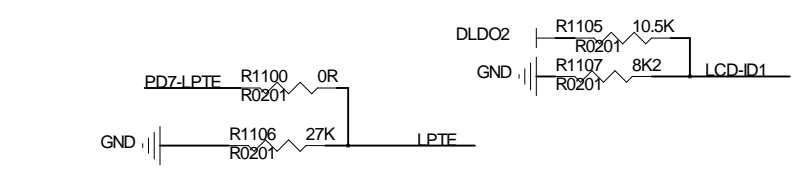
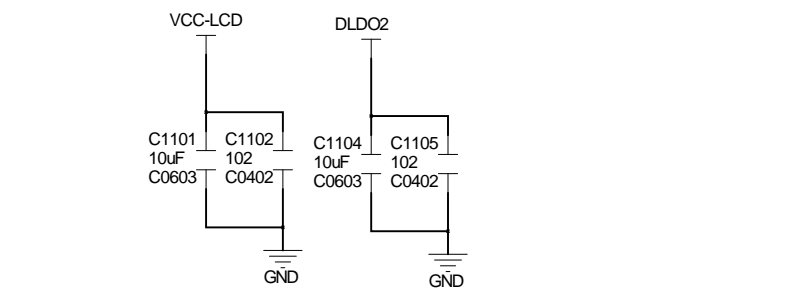
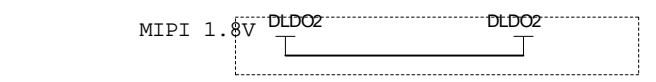
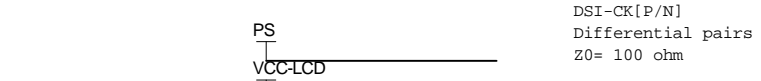
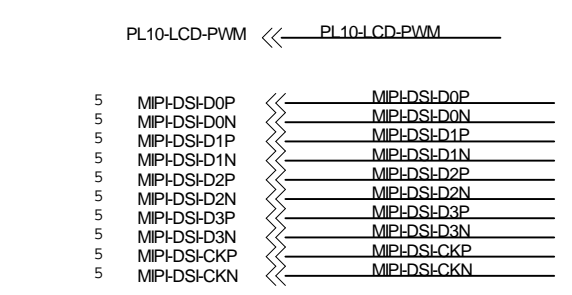
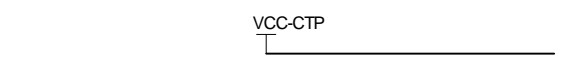
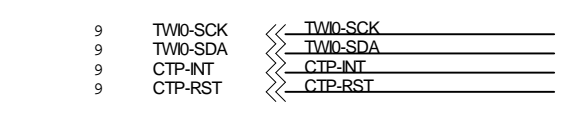
Design Name		
PinePhone ver 1.0		
Size	Page Name	Rev
C	T-CADD/USB	?
Date:	Monday, July 08, 2019	Sheet 9 of 15



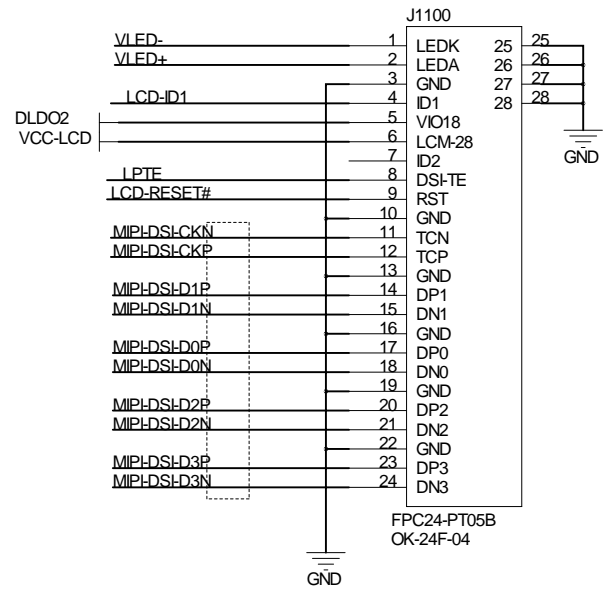
LCM/CTP



A64



MIPI Differential pairs
Z0= 100 ohm

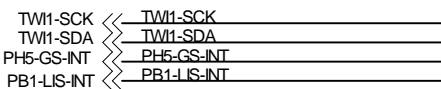
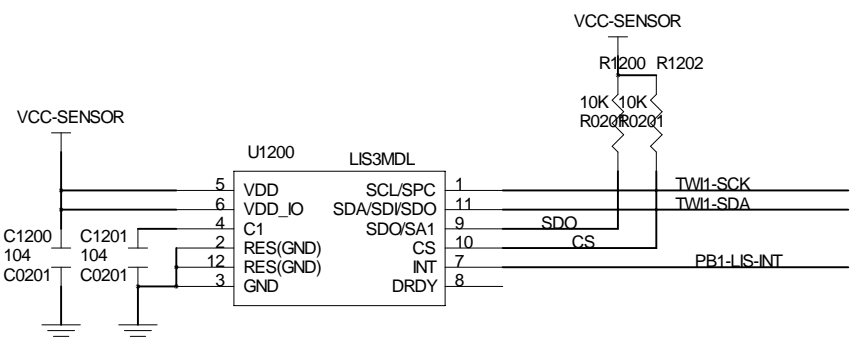
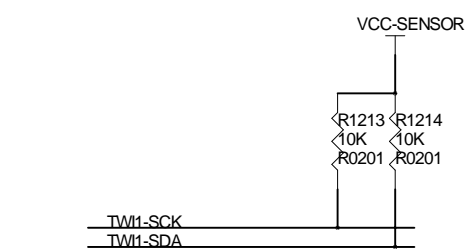
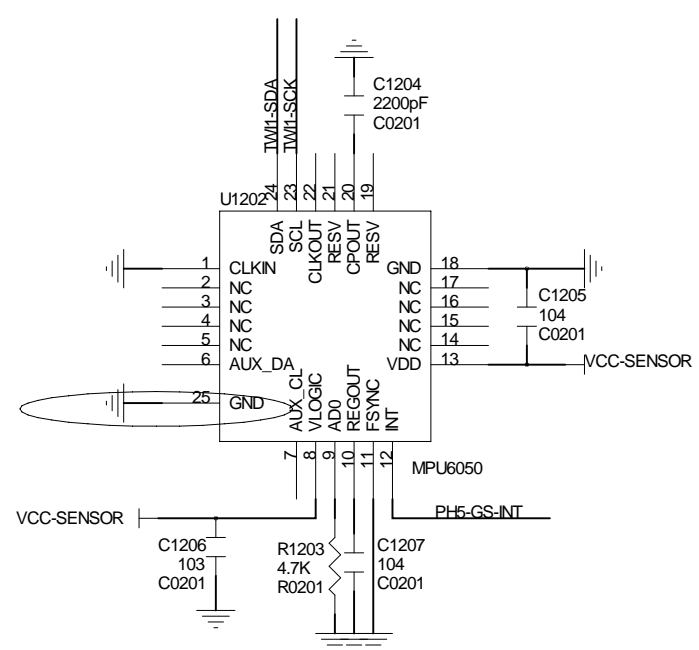
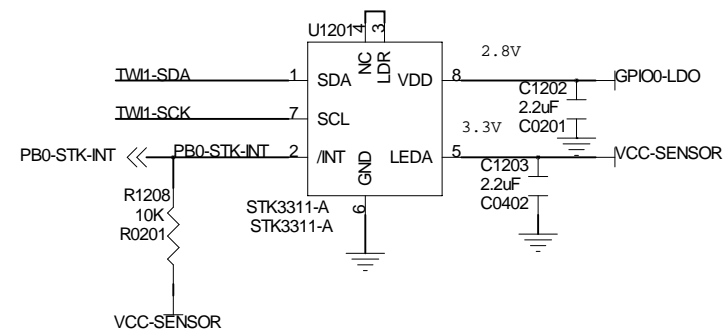


PINE64		
Design Name		
PinePhone ver 1.0		
Size	Page Name	Rev
C	LCM/CTP	?
Date:	Monday, July 08, 2019	Sheet 11 of 15

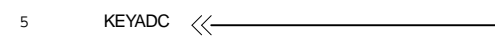
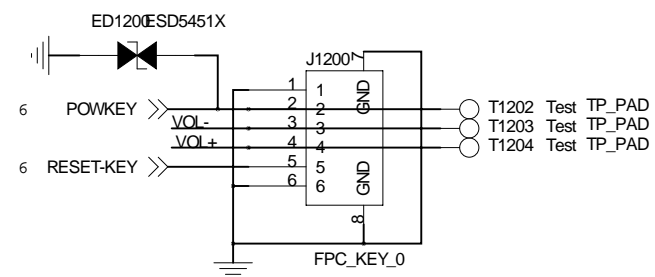
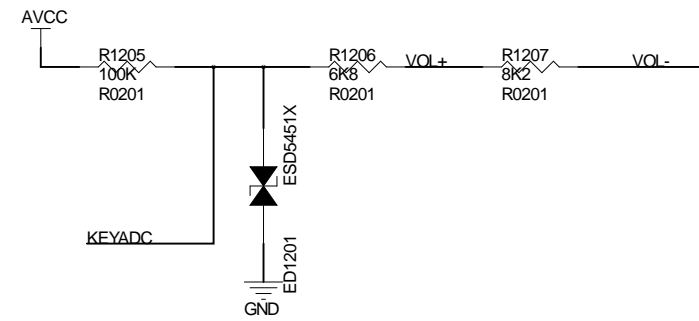


SENSORs/MT/KEY

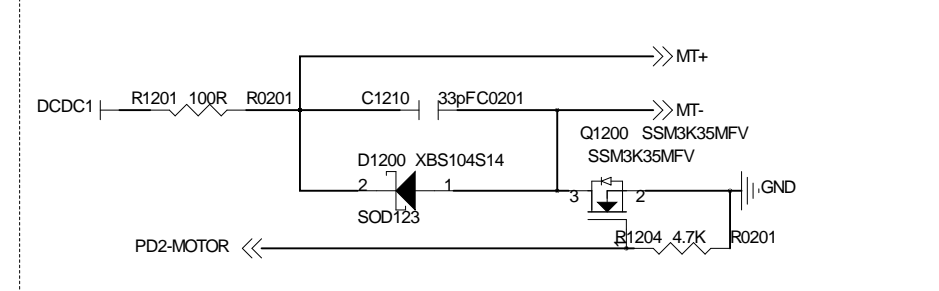
SENSOR



KEY



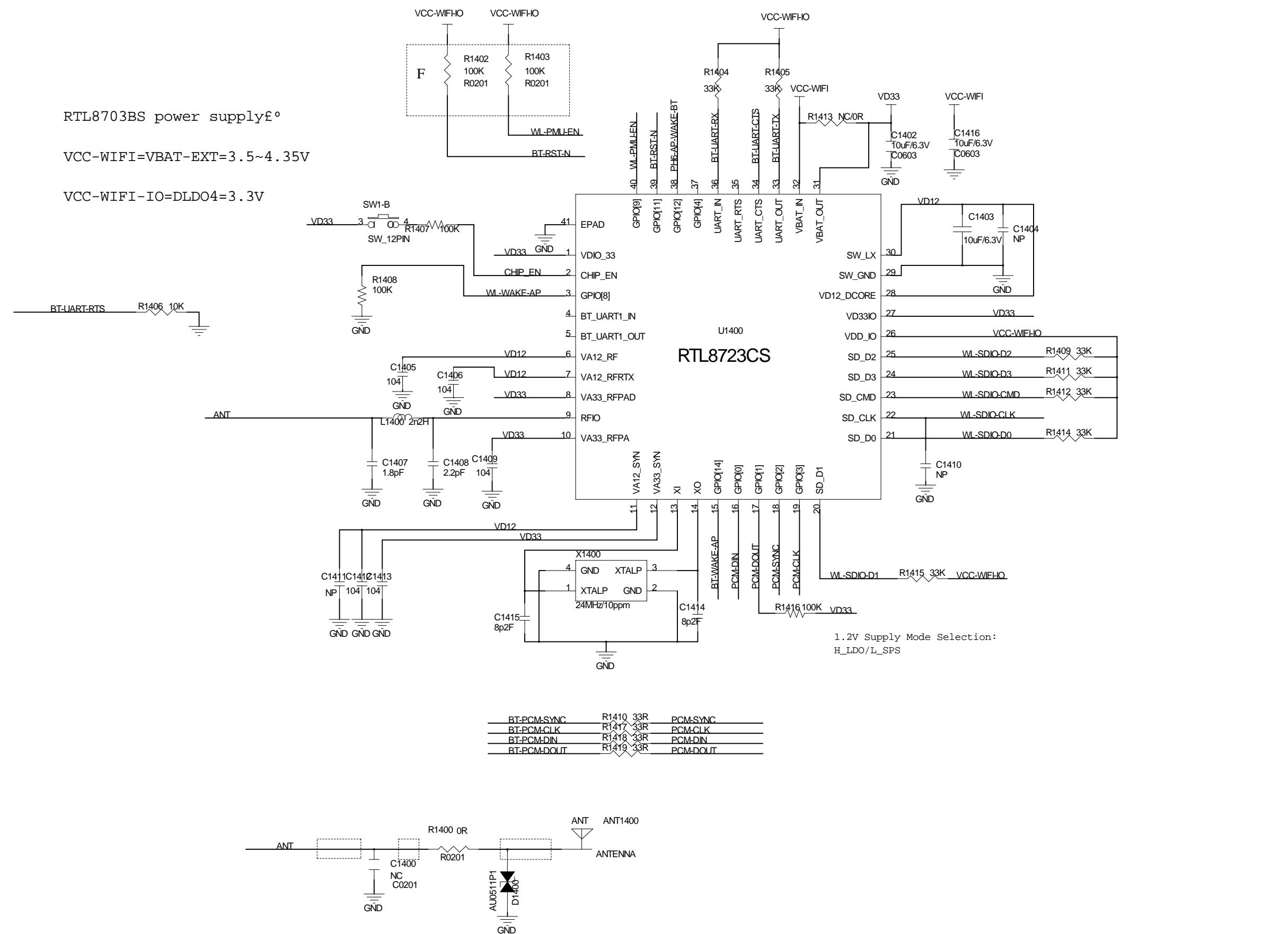
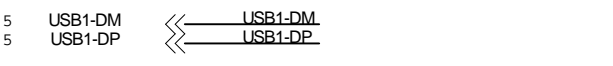
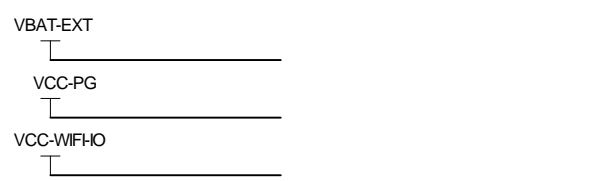
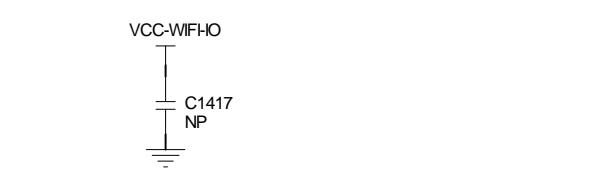
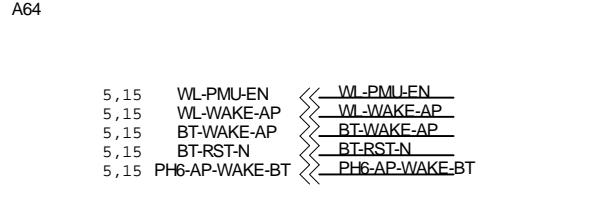
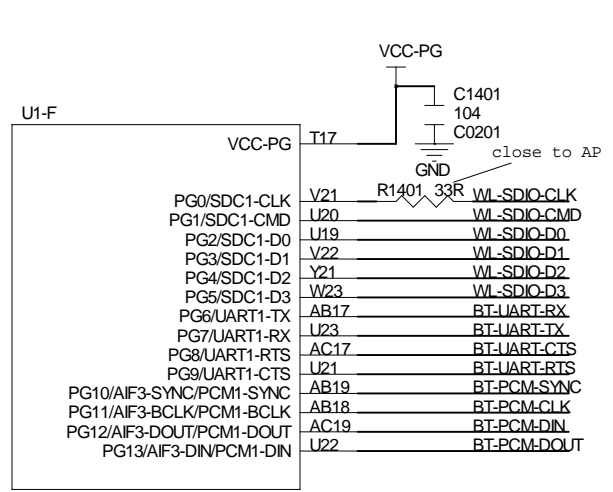
Motor



PINE6 4		
Design Name		
PinePhone ver 1.0		
Size C	Page Name	Rev ?
Date: Monday, July 08, 2019	Sheet 12 of 15	



WIFI+BT



BT-PCMC-SYNC	R1410	33R	PCMC-SYNC
BT-PCMC-CLK	R1417	33R	PCMC-CLK
BT-PCMC-DIN	R1418	33R	PCMC-DIN
BT-PCMC-DOUT	R1419	33R	PCMC-DOUT

