


VERSION HISTORY

| Revision | Description | Date | Drawn | Checked | Approved |
|----------|---------------------------------------|------------|-------|---------|----------|
| Ver 1.0 | Release version | 2015-04-22 | | | |
| Ver 1.2 | | 2018-01-26 | | | |
| Ver 2.0 | U17 Ethernet chip changed to V7-8511C | 2021-05-13 | | | |
| | | | | | |
| | | | | | |
| | | | | | |
| | | | | | |
| | | | | | |
| | | | | | |
| | | | | | |
| | | | | | |
| | | | | | |
| | | | | | |
| | | | | | |
| | | | | | |
| | | | | | |
| | | | | | |
| | | | | | |
| | | | | | |

Index:

- P01: REVISION HISTORY
- P02: BLOCK DIAGRAM
- P03: POWER TREE
- P04: LPDDR3 32x1
- P05: CPU
- P06: PMIC
- P07: eMMC/SPI_FLASH
- P08: AUDIO
- P09: USB/T-CARD
- P10: CAMREA
- P11: LCD
- P12: Euler e Connector
- P13: HDMI
- P14: LED POWER
- P15: WIFI+BT
- P16: CTP/IR
- P17: Pi-2 Connector
- P18: EMAC/GMAC
- P19: EMAC/GMAC



ChipHD to Pine64

| | | |
|----------------------------|---|-------------|
| Size A3 | Document Number VERSION HISTORY | Rev V1.2 |
| Date: Friday, May 14, 2021 | Sheet 1 of 19 | |

5

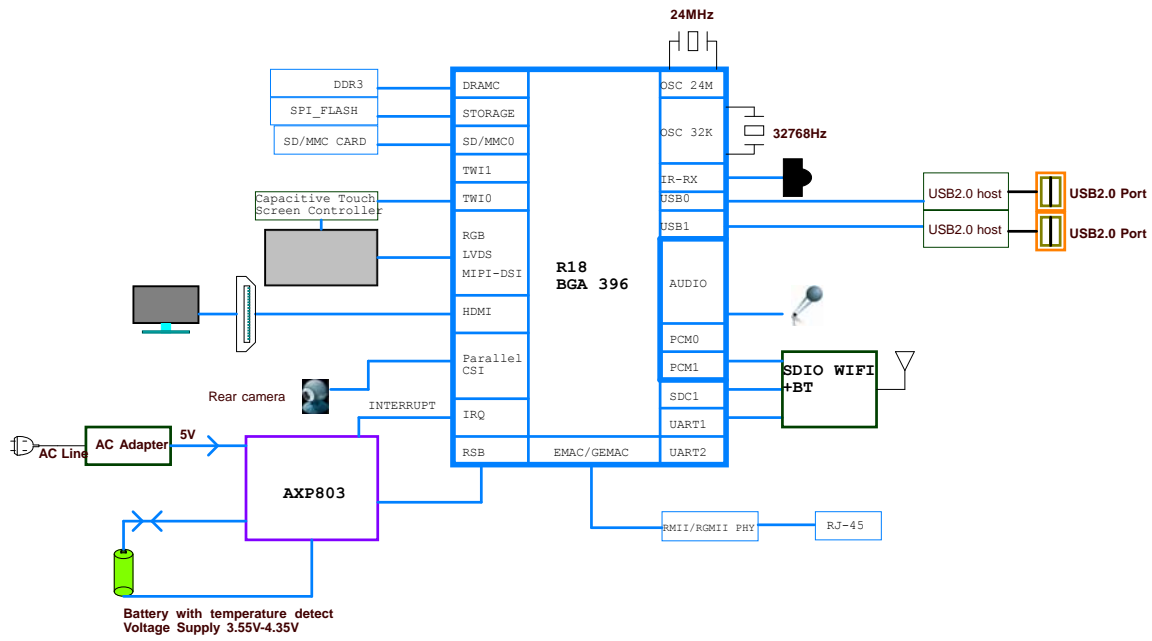
4

3

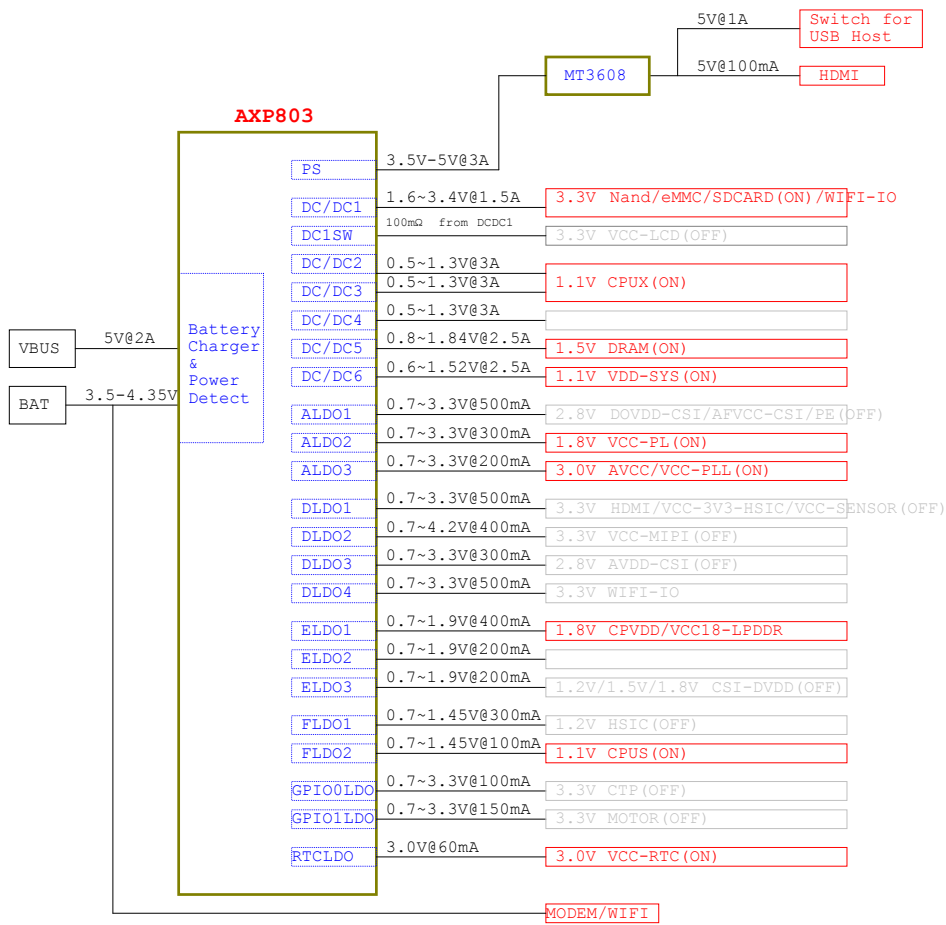
2

1

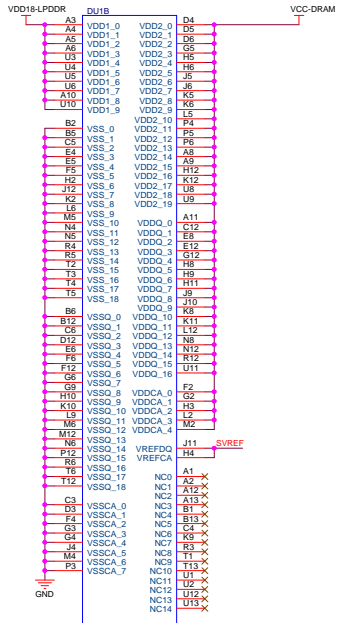
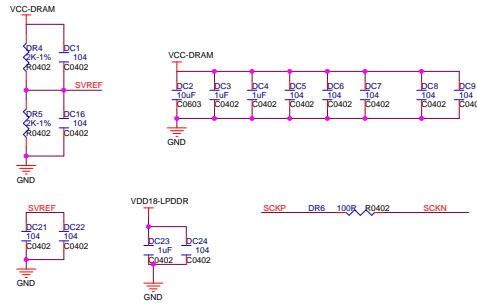
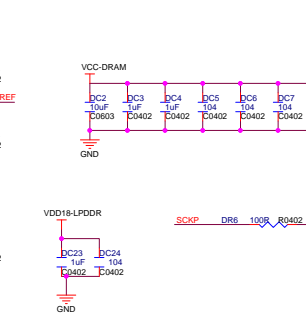
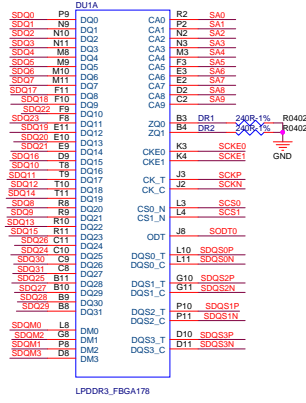
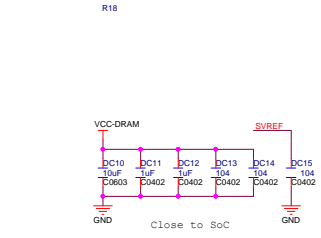
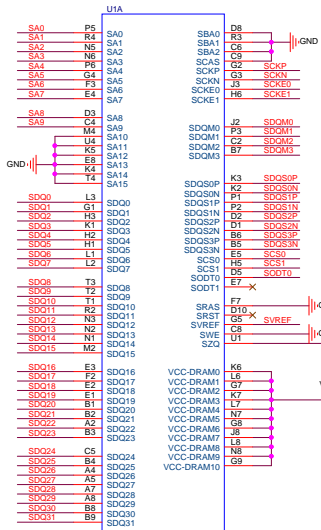
BLOCK DIAGRAM



POWER TREE



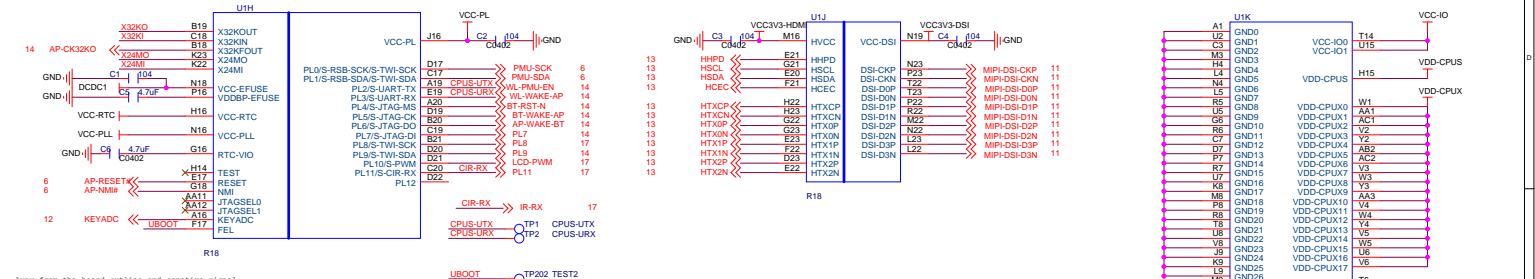
LPDDR3 32X1



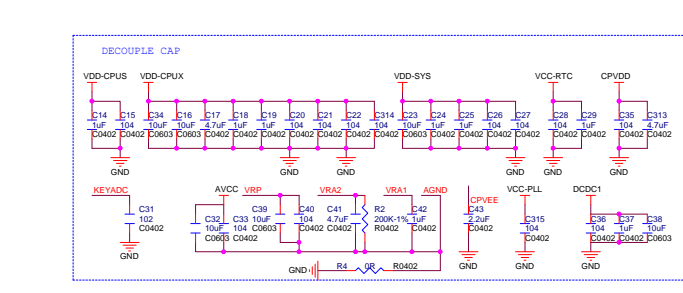
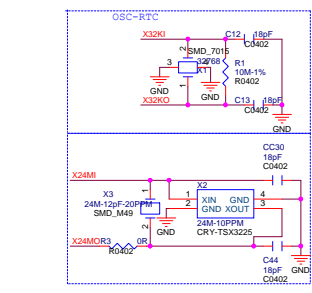
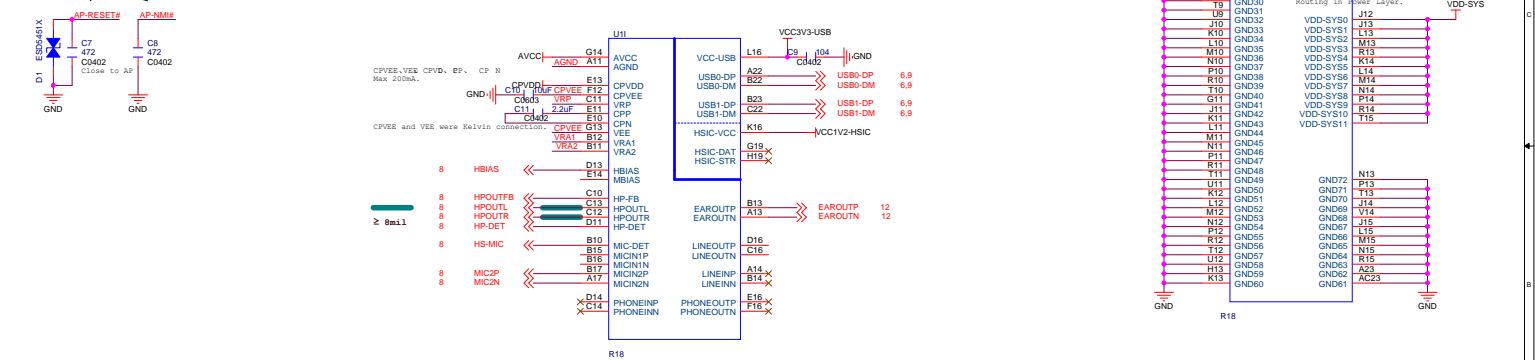
ChipHD to Pine64

Size: A3
 Document Number: LPDDR3_32X1
 Date: Friday, May 14, 2021
 Sheet: 4 of 19
 Rev: V1.2

CPU



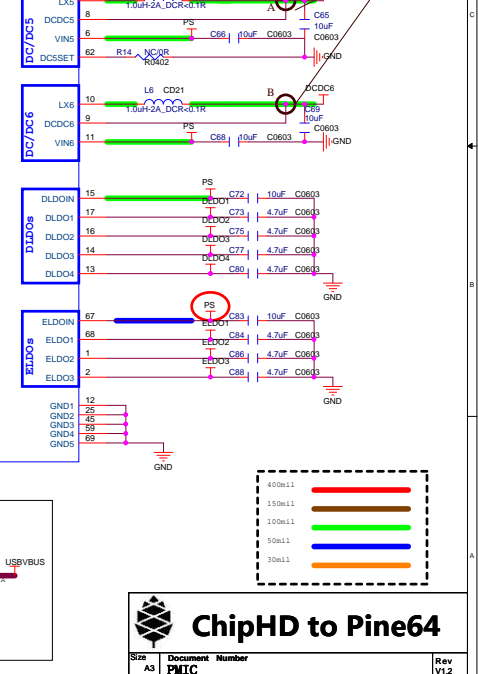
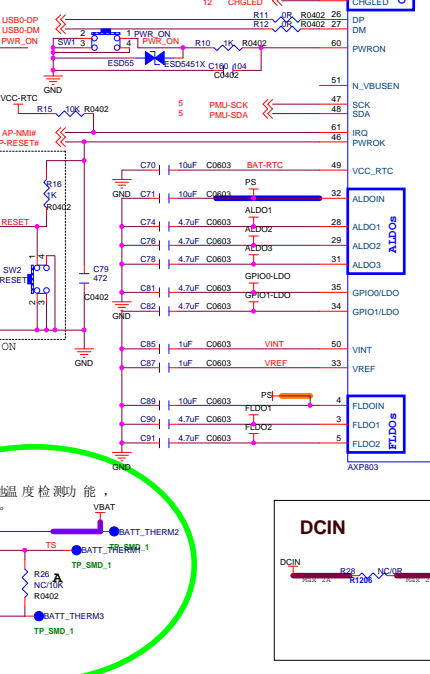
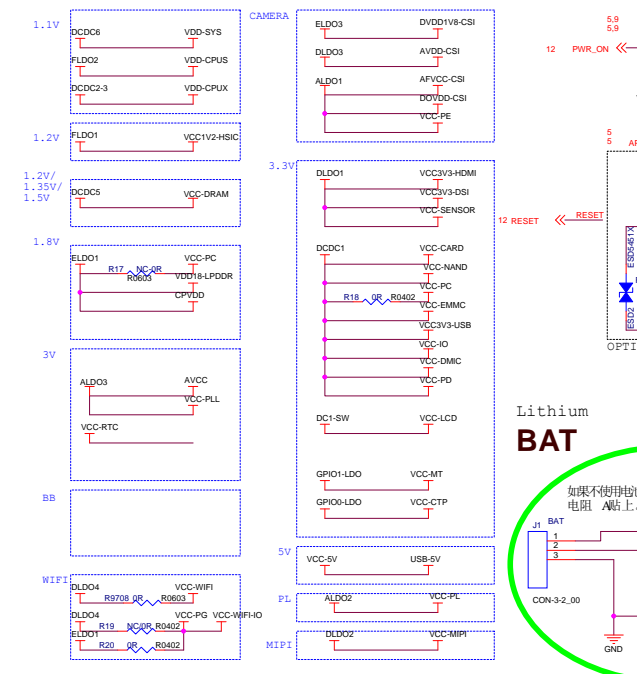
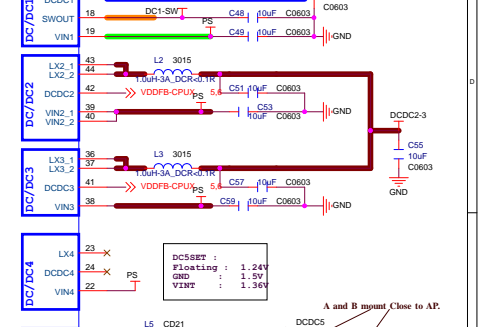
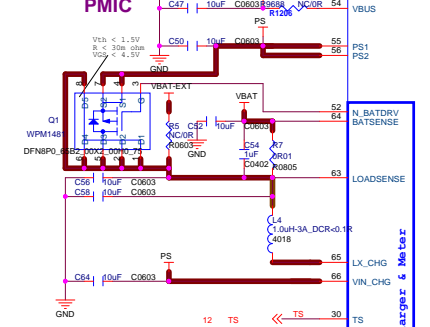
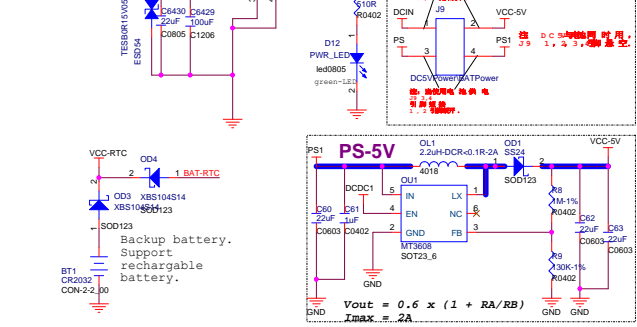
Away from the Board outline and sensitive signal. Around GND line.



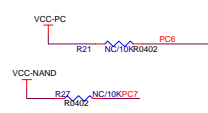
ChipHD to Pine64

Size: A3 Document Number: CPU Rev: V1.2
Date: Friday, May 14, 2021 Sheet: 5 of 19

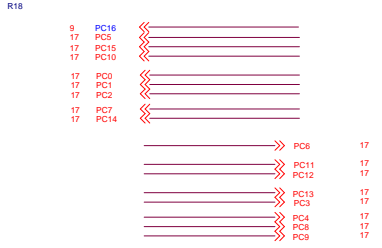
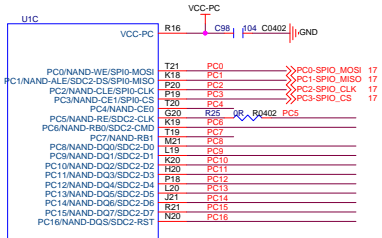
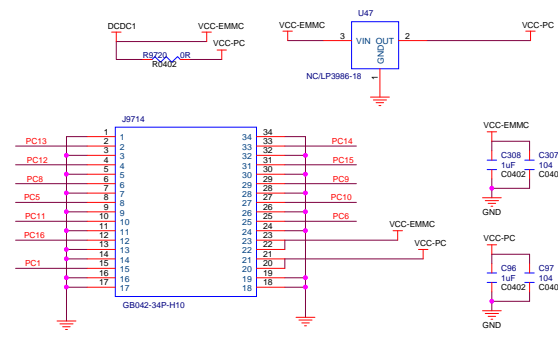
Power



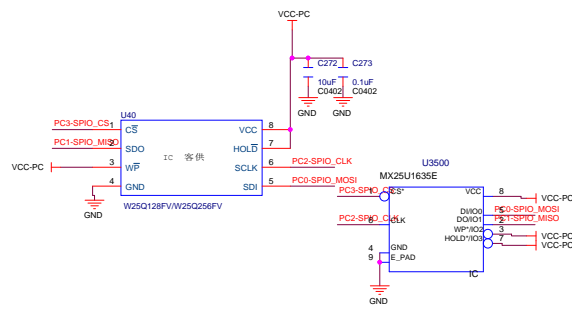
eMMC/SPI_FLASH



eMMC socket



SPI_FLASH

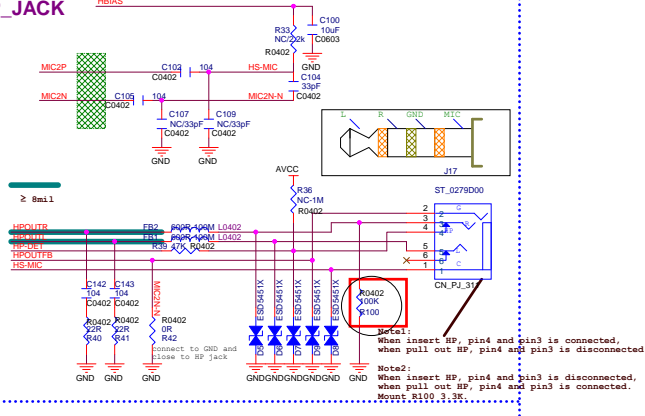


ChipHD to Pine64

| | | |
|-------|----------------------|---------------|
| Size | Document Number | Rev |
| A3 | eMMC/SPI_FLASH | V1.2 |
| Date: | Friday, May 14, 2021 | Sheet 7 of 18 |

AUDIO

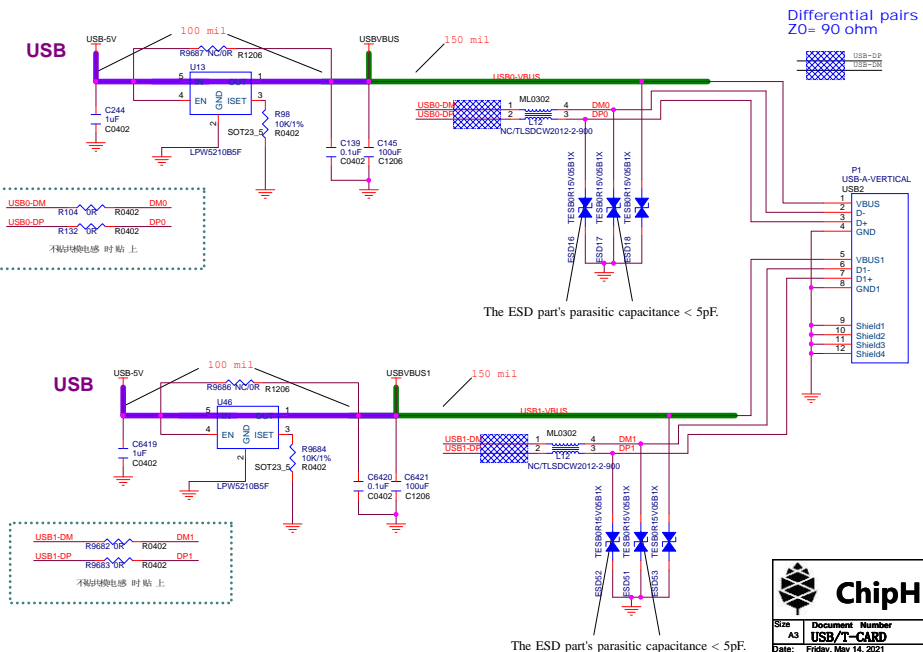
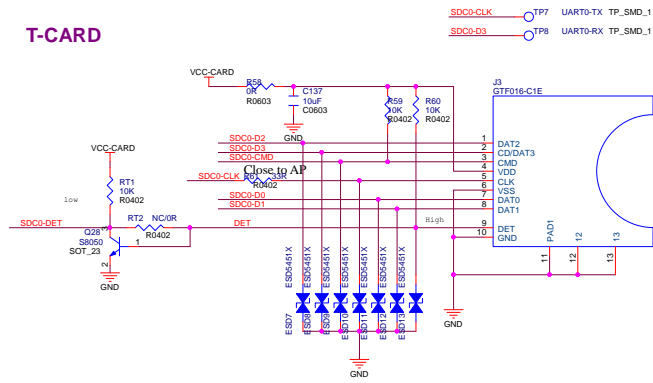
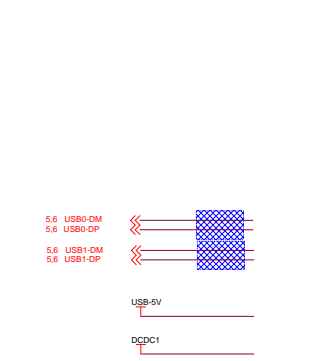
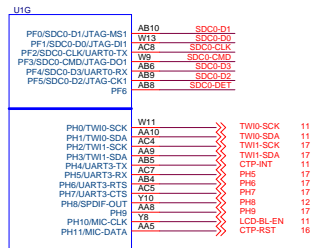
HP_JACK



- 5 HBIAS <<<
- 5 HP-DET <<<
- 5 HP-OUTLFB <<<
- 5 HP-OUTL <<<
- 5 HP-OUTR <<<
- 5 MIC2N <<<
- 5 MIC2P <<<
- 5 HS-MIC <<<
- 5 EAROUTP <<<
- 5 EAROUTN <<<
- AVCC
- VCC-5V

USB/T-CARD

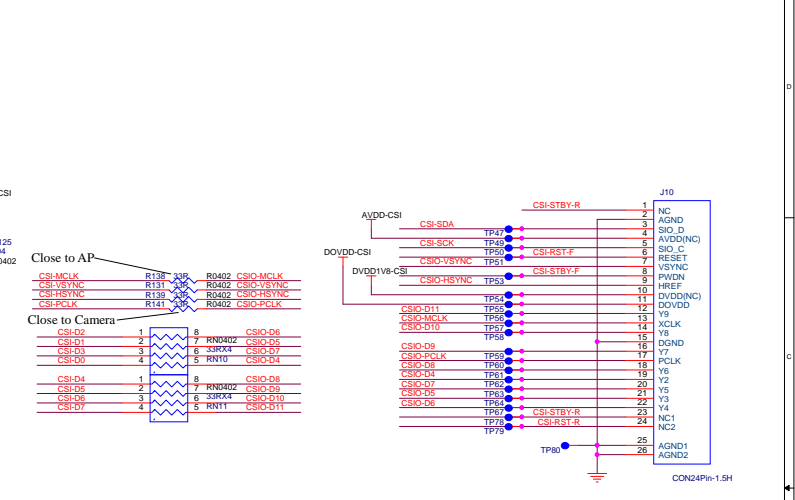
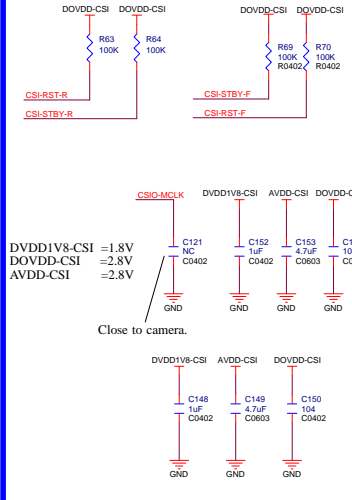
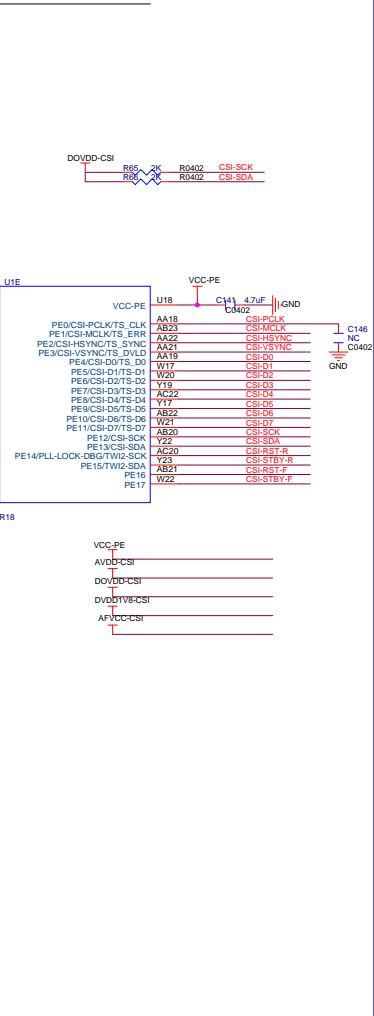
T-CARD




ChipHD to Pine64

| | | | |
|-------|----------------------|--------|---------|
| Size | Document | Number | Rev |
| A3 | USB/T-CARD | | V1.2 |
| Date: | Friday, May 14, 2021 | Sheet | 8 of 18 |

CAMERA

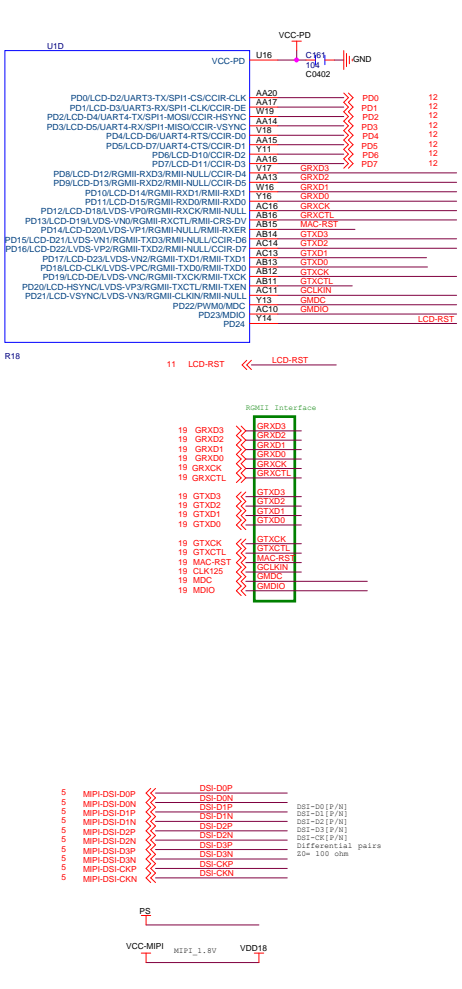


 **ChipHD to Pine64**

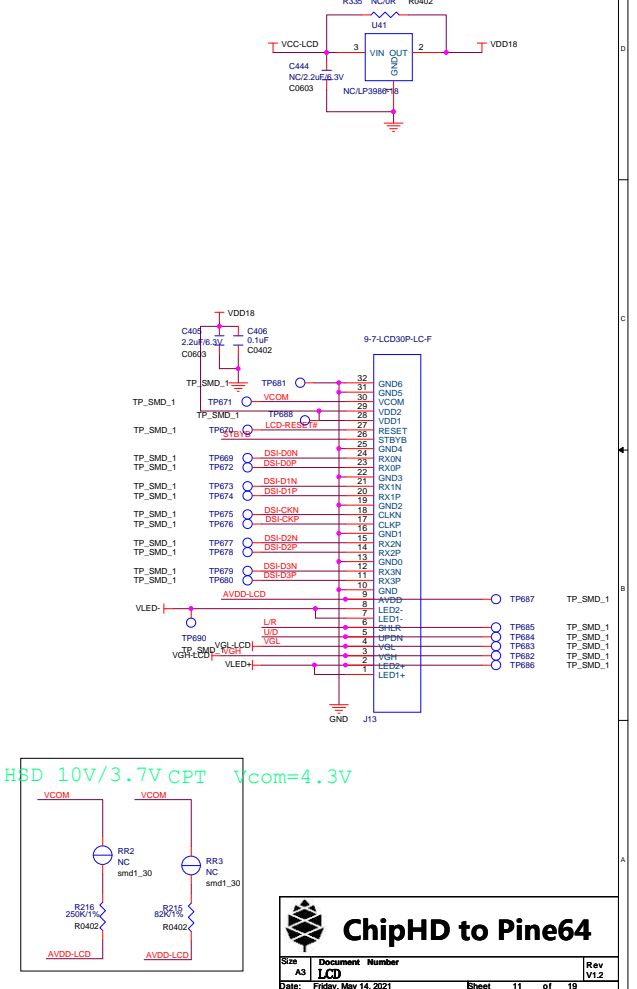
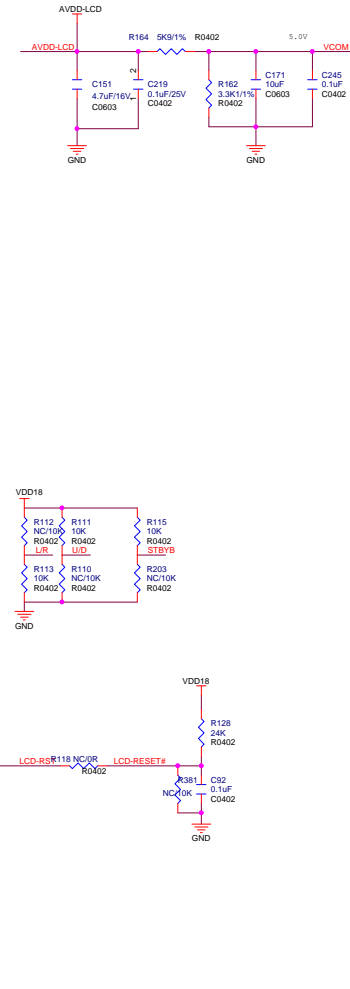
Size: A3 Document: CAMERA Number: Rev: V1.2

Date: Friday, May 14, 2021 Sheet: 10 of 19

LCD



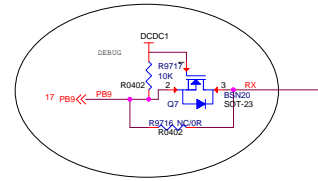
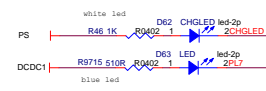
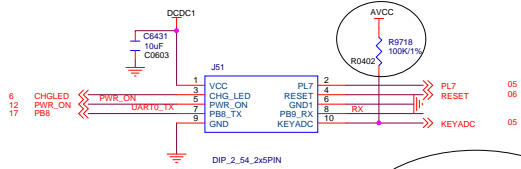
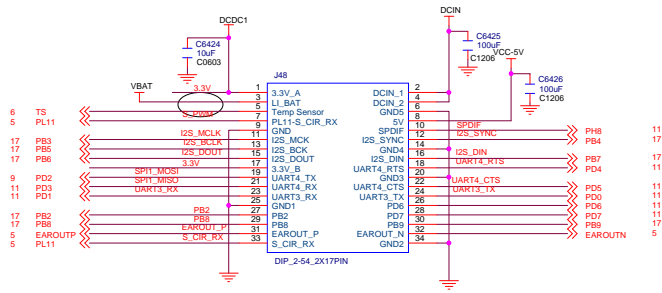
MIPI-LCD



ChipHD to Pine64

Size: 1 LCD
 Document Number: [Blank]
 Date: Friday, May 14, 2021
 Sheet: 11 of 19
 Rev: V1.2

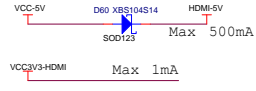
Euler e Connector



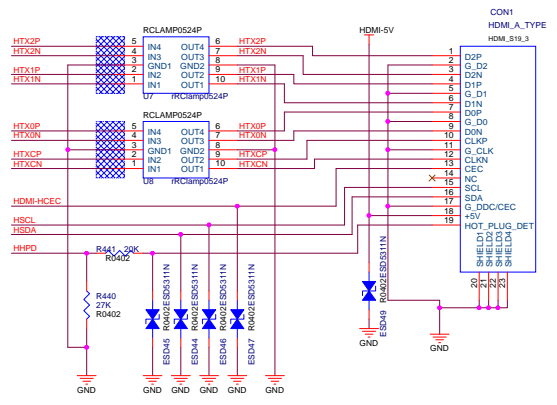
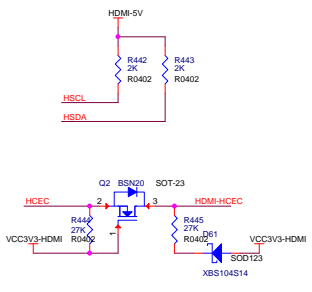
ChipHD to Pine64

| | | |
|-------|----------------------|----------------|
| Size | Document Number | Rev |
| A3 | Euler e Connector | V1.2 |
| Date: | Friday, May 14, 2021 | Sheet 12 of 18 |

HDMI



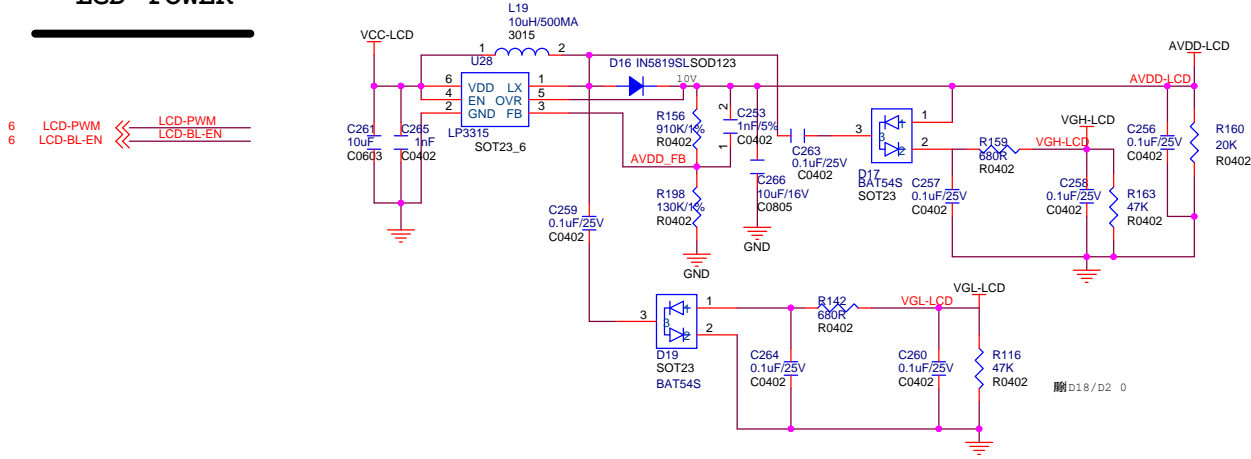
Differential pairs
Z0 = 100 ohm



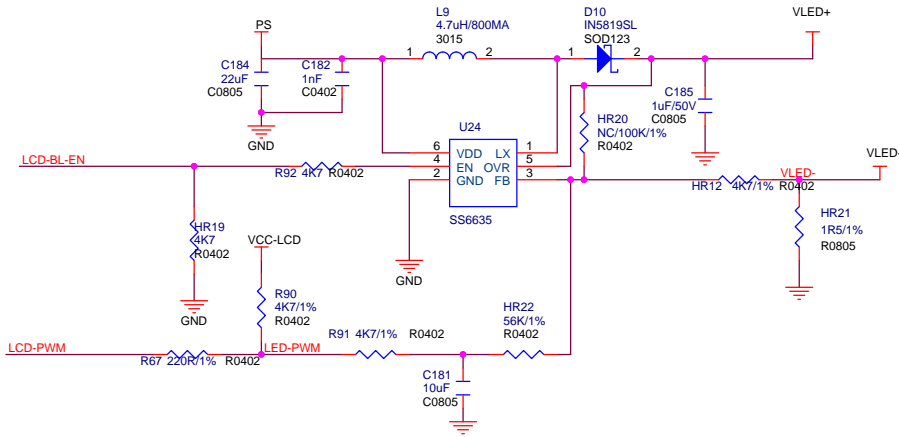
ChipHD to Pine64

| | | |
|-------|----------------------|----------------|
| Size | Document Number | Rev |
| A3 | HDMI | V1.2 |
| Date: | Friday, May 14, 2021 | Sheet 13 of 19 |

LCD POWER

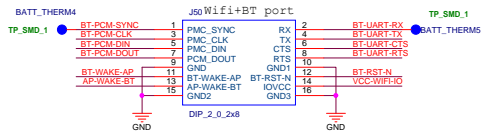
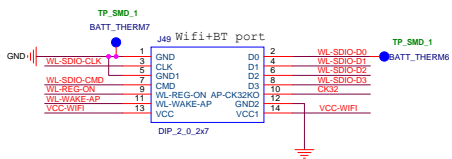
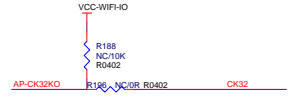
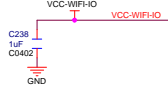
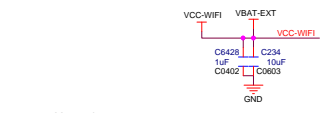
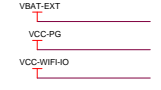
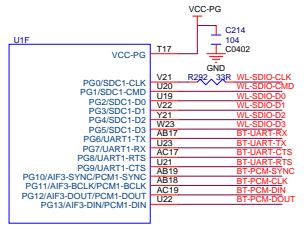


Backlight



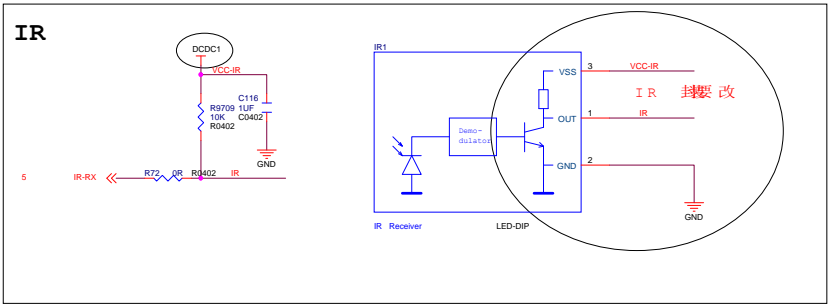
| | | | |
|--|-------------------------------------|-------------------------|--|
|  | | ChipHD to Pine64 | |
| Size A4 | Document Number LED POWER | Rev V1.2 | |
| Date: Friday, May 14, 2021 | Sheet 14 | of 19 | |

WIFI+BT

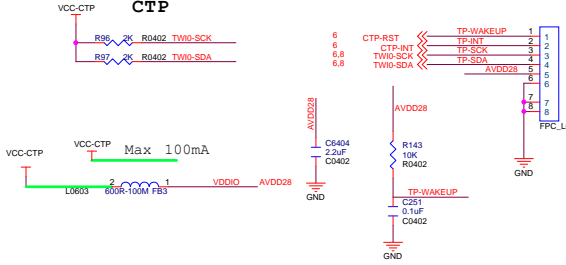


ChipHD to Pine64

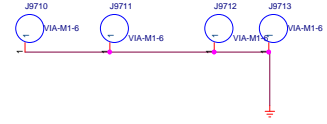
| | | | | | |
|-------|----------------------|-----------------|-------------------|-----|-------|
| Size | A3 | Document Number | WIFI+BT Connector | Rev | V1.2 |
| Date: | Friday, May 14, 2021 | | Sheet | 15 | of 19 |



CTP



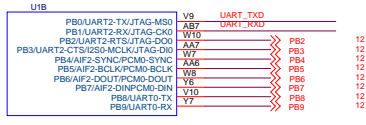
- TP-WAKEUP TP23 TP-WAKEUP TP_SMD_1
- TP-INT TP24 TP-INT TP_SMD_1
- TP-SDA TP25 TP-SDA TP_SMD_1
- TP-SCK TP26 TP-SCK TP_SMD_1
- AVDD28 TP27 VCC-3V TP_SMD_1
- GND TP28 GND TP_SMD_1



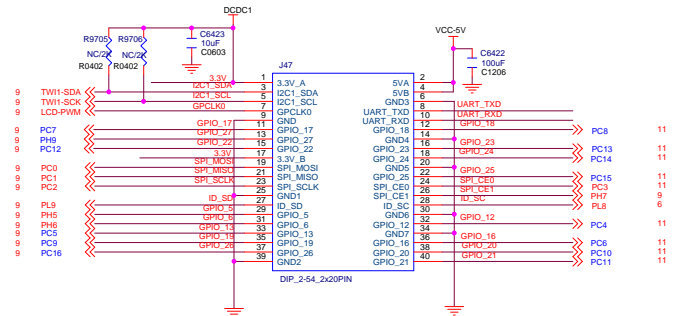
ChipHD to Pine64

Size: A3 Document Number: CTP/IR Rev: V1.2
 Date: Friday, May 14, 2021 Sheet: 16 of 19

Pi-2 Connector



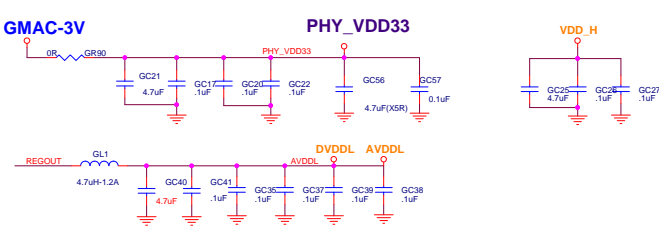
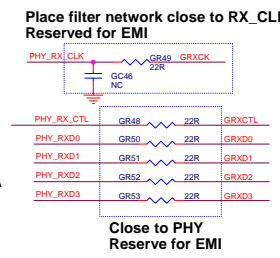
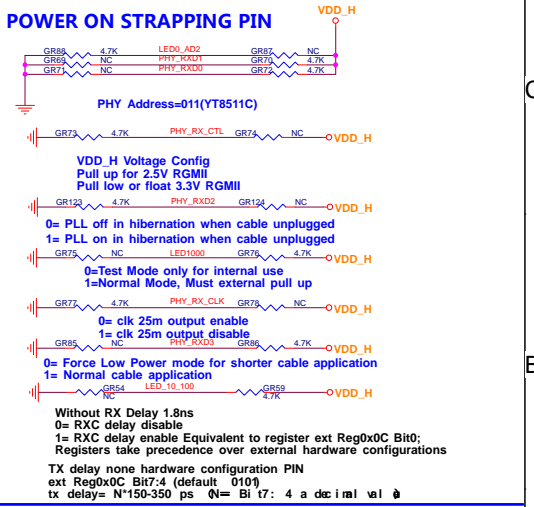
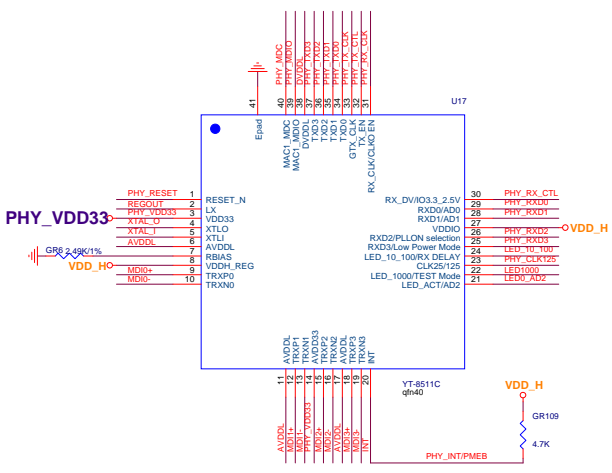
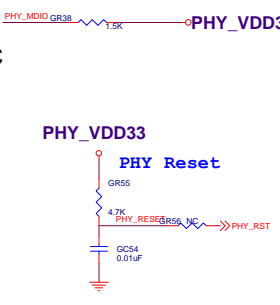
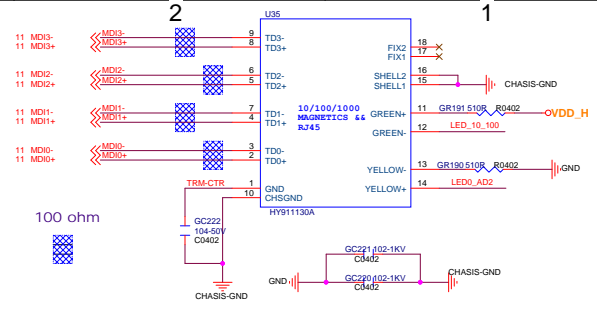
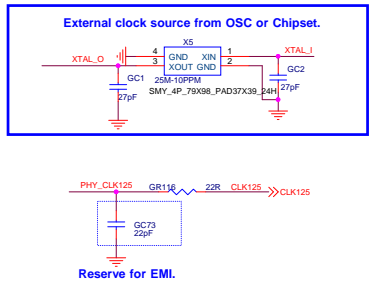
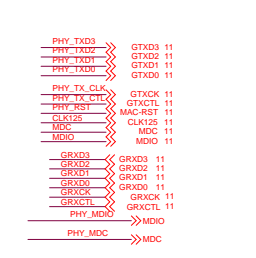
R18



ChipHD to Pine64

| | | |
|-------|----------------------|----------------|
| Size | Document Number | Rev |
| A3 | Pi-2 Connector | V1.2 |
| Date: | Friday, May 14, 2021 | Sheet 17 of 19 |

External clock and Crystal.



ChipHD to Pine64

| | | |
|----------------------------|-------------------------------------|-------------|
| Size A3 | Document Number EMAC/GMAC | Rev V1.2 |
| Date: Friday, May 14, 2021 | Sheet 19 of 19 | |